



Features

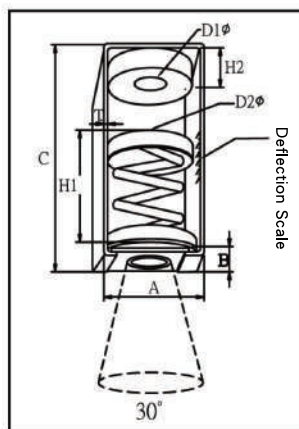
- ⊙ Spring's compression levels are 25, 40, 50mm, and 75mm ◦
- ⊙ Coil spring with powder coating finish and frame with hot dip galvanizing ◦
- ⊙ Rubber part is made by butyl rubber in order to extend the spring hanger of long service life ◦
- ⊙ YS Spring must pass ASTM-B117 salt spray testing and also pass rigid compression testing over million times ◦
- ⊙ The overall diameter of the spring does not less than 0.8 times the operating height of the spring ◦
- ⊙ Springs have a minimum additional travel to solid equal to 50 percent of the actual deflection ◦
- ⊙ YS-HR consist of a free-standing laterally stable steel spring set into a neoprene cup, contained with a steel housing. A steel washer is provided in the neoprene cup to evenly distribute load onto the neoprene ◦
- ⊙ Stainless Material designed are available ◦



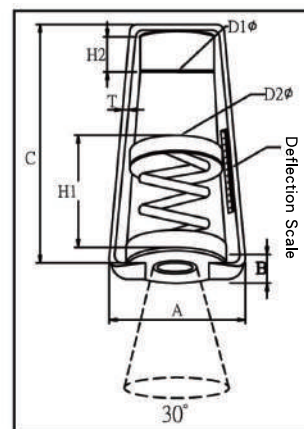
Dimensions

Unit : mm

Models	Loads (kgs)	Deflection 25mm	O.D	FH
YS-HSR	9~45	25	28	45
YS-HR	9~100	25	48	65
YS-HR	150~300	25	48	80
YS-HR	350~1200	25	68	110~130
YS-L	9~100	25	48	65
YS-L	150~300	25	48	80
YS-L	350~1200	25	68	110~130
YS-HR40	30~1200	40	68	122
YS-HR50(S)	13~300	50	48	120~130
YS-HR50	20~400	50	68	130
YS-HR50(L)	200~1800	50	92.5	165
YS-L50(S)	13~300	50	48	120~130
YS-L50	20~400	50	68	130
YS-L50(L)	200~1800	50	92.5	165



YS-9HSR~YS-300HR



YS-350HR~YS-1200HR
YS-HR40/HR50
YS-L/L50
YS-HR50(S)/L50(S)
YS-HR50(L)/L50(L)

Specifications

Unit : mm

Models	Loads (kgs)	Dimensions(mm)								Used Bolt
		A	B	C	D1	D2	H1	H2	T	
YS-HSR	9~45	50	30	77	13	14	50	3	2	3/8"
YS-HR	9~100	67	57	133	16	14	76	10	3	3/8"
YS-HR	150~300	72	57	156	16	14	92	10	3	1/2"
YS-HR	350~1200	122	92	230	16	14	130~146	16	6	1/2"
YS-L	9~100	82	70	176	16	14	77	10	3	3/8"
YS-L	150~300	82	70	176	16	14	77	10	4	1/2"
YS-L	350~1200	122	92	230	16	14	130~146	16	6	1/2"
YS-HR40	30~1200	122	92	230	16	14	140	16	6	1/2"
YS-HR50(S)	13~300	82	70	176	16	14	132~142	10	3	3/8"
YS-HR50	20~400	122	92	230	16	14	148	16	6	1/2"
YS-HR50(L)	200~1800	150	105	300	24	24	175	20	9	3/4"
YS-L50(S)	13~300	82	70	176	16	14	132~142	10	3	3/8"
YS-L50	20~400	122	92	230	16	14	148	16	6	1/2"
YS-L50(L)	200~1800	150	105	300	24	24	175	20	9	3/4"





Specifications

Unit : mm

Models	Loads (kgs)	Spring Color	Spring Deflection
YS-9HSR	5~11	Yellow	25
YS-13HSR	9~16	Red	25
YS-20HSR	12~22	Sky Blue	25
YS-30HSR	22~33	Malachite Green	25
YS-45HSR	30~50	White	25

Unit : mm

Models	Loads (kgs)	Spring Color	Spring Deflection
YS-13HR40	9~16	Red	40
YS-30HR40	22~33	Malachite Green	40
YS-50HR40	30~50	White	40
YS-60HR40	45~66	Pure Blue	40
YS-80HR40	66~88	Red Bean	40
YS-100HR40	88~110	Dark Blue	40
YS-150HR40	110~165	Sky Blue	40
YS-200HR40	165~220	Red	40
YS-250HR40	220~270	Pink	40
YS-300HR40	270~330	Dark Green	40
YS-350HR40	330~350	Coffee	40
YS-400HR40	350~450	Dark Blue	40
YS-450HR40	400~500	White	40
YS-500HR40	450~550	Black	40
YS-600HR40	550~650	Pure Blue	40
YS-700HR40	650~750	Red Bean	40

Unit : mm

Models	Loads (kgs)	Spring Color	Spring Deflection
YS-9HR	5~11	Red	25
YS-13HR	9~16	Red	25
YS-20HR	12~22	Sky Blue	25
YS-30HR	22~33	Malachite Green	25
YS-45HR	30~50	White	25
YS-60HR	45~66	Gloden	25
YS-80HR	66~88	Red Bean	25
YS-100HR	88~110	Dark Blue	25
YS-150HR	110~165	Sky Blue	25
YS-200HR	165~220	Red	25
YS-250HR	220~270	Pink	25
YS-300HR	270~330	Malachite Green	25
YS-350HR	330~350	Coffee	25
YS-400HR	350~450	Dark Blue	25
YS-450HR	400~500	White	25
YS-500HR	450~550	Black	25
YS-550HR	500~600	Purple	25
YS-600HR	550~650	Pure Blue	25
YS-700HR	650~750	Red Bean	25
YS-800HR	750~850	Grass Green	25
YS-1000HR	850~1050	Gray	25
YS-1200HR	1050~1250	Yellow	25

Unit : mm

Models	Loads (kgs)	Spring Color	Spring Deflection
YS-20HR50	12~22	Sky Blue	50
YS-30HR50	22~33	Malachite Green	50
YS-45HR50	30~50	White	50
YS-60HR50	45~66	Pure Blue	50
YS-80HR50	66~88	Red Bean	50
YS-100HR50	88~110	Dark Blue	50
YS-150HR50	110~165	Sky Blue	50
YS-200HR50	165~220	Red	50
YS-250HR50	220~270	Pink	50
YS-300HR50	270~330	Dark Blue	50
YS-350HR50	330~350	Coffee	50
YS-400HR50	350~450	Dark Blue	50



固安震®

YS-HR/L 懸吊式彈簧避振器

YS-HR/L TYPE HANGER

Specifications

Unit : mm

Models	Loads (kgs)	Spring Color	Spring Deflection
YS-13HR50(S)	9~16	Red	50
YS-20HR50(S)	12~22	Sky Blue	50
YS-30HR50(S)	22~33	Malachite Green	50
YS-45HR50(S)	30~50	White	50
YS-60HR50(S)	45~66	Pure Blue	50
YS-80HR50(S)	66~88	Red Bean	50
YS-100HR50(S)	88~110	Dark Blue	50
YS-150HR50(S)	110~165	Sky Blue	50
YS-200HR50(S)	165~220	Red	50
YS-250HR50(S)	220~270	Pink	50
YS-300HR50(S)	270~330	Dark Green	50

Unit : mm

Models	Loads (kgs)	Spring Color	Spring Deflection
YS-9L	5~11	Red	25
YS-13L	9~16	Red	25
YS-20L	12~22	Sky Blue	25
YS-30L	22~33	Malachite Green	25
YS-45L	30~50	White	25
YS-60L	45~66	Gloden	25
YS-80L	66~88	Red Bean	25
YS-100L	88~110	Dark Blue	25
YS-150L	110~165	Sky Blue	25
YS-200L	165~220	Red	25
YS-250L	220~270	Pink	25
YS-300L	270~330	Dark Green	25
YS-350L	330~350	Coffee	25
YS-400L	350~450	Dark Blue	25
YS-450L	400~500	White	25
YS-500L	450~550	Black	25
YS-600L	550~650	Pure Blue	25
YS-700L	650~750	Red Bean	25
YS-800L	750~850	Grass Green	25
YS-1000L	850~1050	Gray	25
YS-1200L	1050~1250	Yellow	25

Unit : mm

Models	Loads (kgs)	Spring Color	Spring Deflection
YS-100HR50(L)	88~110	Dark Blue	50
YS-150HR50(L)	110~165	Sky Blue	50
YS-200HR50(L)	165~220	Red	50
YS-250HR50(L)	220~270	Pink	50
YS-300HR50(L)	270~330	Dark Green	50
YS-350HR50(L)	330~350	Coffee	50
YS-400HR50(L)	350~450	Dark Blue	50
YS-500HR50(L)	450~550	Black	50
YS-600HR50(L)	550~650	Pure Blue	50
YS-700HR50(L)	650~750	Red Bean	50
YS-800HR50(L)	750~850	Grass Green	50
YS-900HR50(L)	850~950	Orange	50
YS-1000HR50(L)	950~1050	Gray	50
YS-1500HR50(L)	1050~1250	Blue	50





Specifications

Unit : mm

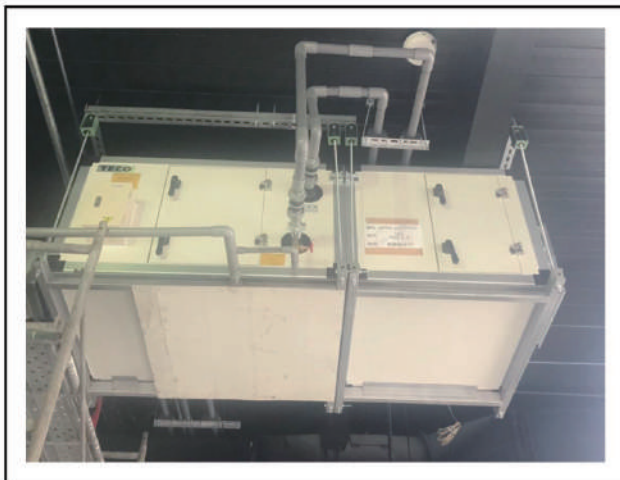
Models	Loads (kgs)	Spring Color	Spring Deflection
YS-20L50	12~22	Sky Blue	50
YS-30L50	22~33	Dark Green	50
YS-45L50	30~50	White	50
YS-60L50	45~66	Pure Blue	50
YS-80L50	66~88	Red Bean	50
YS-100L50	88~110	Dark Blue	50
YS-150L50	110~165	Sky Blue	50
YS-200L50	165~220	Red	50
YS-250L50	220~270	Pink	50
YS-300L50	270~330	Dark Green	50
YS-350L50	330~350	Coffee	50
YS-400L50	350~450	Dark Blue	50

Unit : mm

Models	Loads (kgs)	Spring Color	Spring Deflection
YS-13L50(S)	9~16	Red	50
YS-20L50(S)	12~22	Sky Blue	50
YS-30L50(S)	22~33	Malachite Green	50
YS-45L50(S)	30~50	White	50
YS-60L50(S)	45~66	Pure Blue	50
YS-80L50(S)	66~88	Red Bean	50
YS-100L50(S)	88~110	Dark Blue	50
YS-150L50(S)	110~165	Sky Blue	50
YS-200L50(S)	165~220	Red	50
YS-250L50(S)	220~270	Pink	50
YS-300L50(S)	270~330	Dark Green	50

Unit : mm

Models	Loads (kgs)	Spring Color	Spring Deflection
YS-100L50(L)	88~110	Dark Blue	50
YS-150L50(L)	110~165	Sky Blue	50
YS-200L50(L)	165~220	Red	50
YS-250L50(L)	220~270	Pink	50
YS-300L50(L)	270~330	Dark Green	50
YS-350L50(L)	330~350	Coffee	50
YS-400L50(L)	350~450	Dark Blue	50
YS-500L50(L)	450~550	Black	50
YS-600L50(L)	550~650	Pure Blue	50
YS-700L50(L)	650~750	Red Bean	50
YS-800L50(L)	750~850	Grass Green	50
YS-900L50(L)	850~950	Orange	50
YS-1000L50(L)	850~1050	Gray	50
YS-1200L50(L)	1050~1250	Yellow	50
YS-1500L50(L)	1050~1250	Blue	50





固安震®

YS-HR/L 懸吊式彈簧避振器

YS-HR/L TYPE HANGER

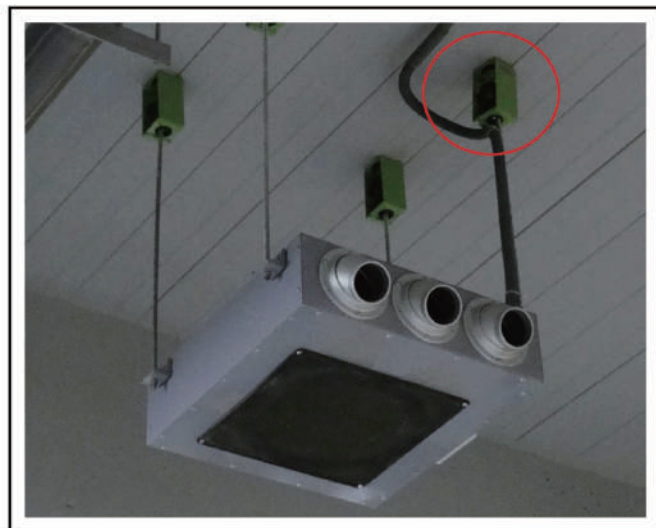
AIR VALVE AIR INSIDE
氣門阻 空氣器



Pipling Installation Layout



Air Hannding Unit Inatallation Layout



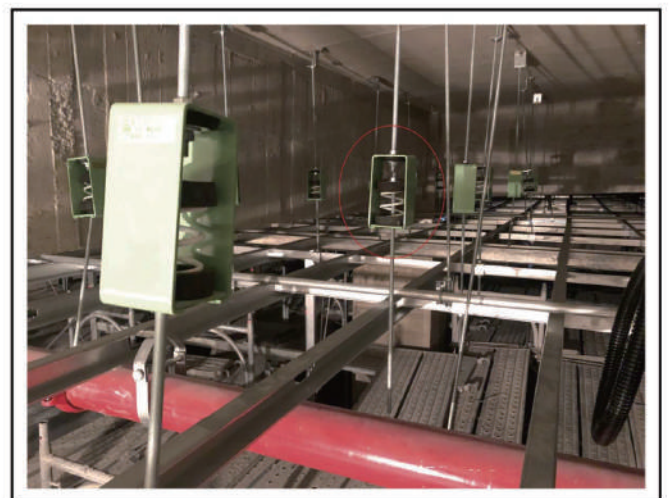
Fan installation Layout



YS Spring Hangers for pipling



YS Spring Hangers for soundproof a ceiling



YS Spring Hangers for soundproof a ceiling

YS Spring Hangers

