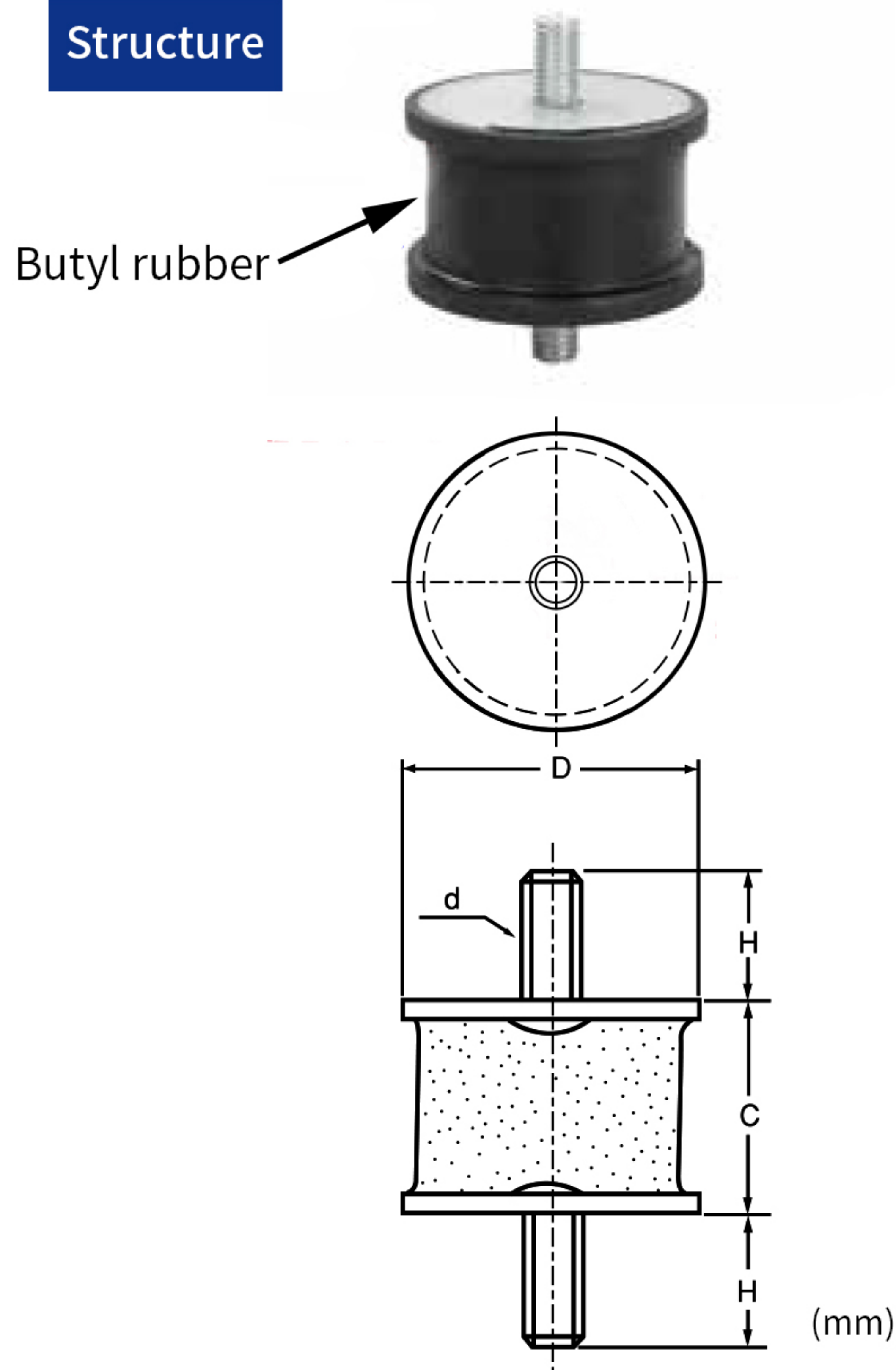


MODEL YS-I YS-I TYPE RUBBER ISOLATOR

Structure



Features

- ⊙ YS-I type can be resolved effectively the noise and vibration problems ◦
- ⊙ Fans , motors , compressors , engine etc , all can be applied ◦
- ⊙ Both side of insert nut can be customized(MOQ) ◦
- ⊙ If your demand is superior oil resistance of rubber material , please ask in advance. ◦

Specifications

Models	D	C	H	d	Loads Kgs
YS-3I	16	15	12	M4	1-3
YS-6I	16	15	12	M4	3-6
YS-12I(M4)	16	15	12,16	M4	6-13
YS-12I(M5)	16	15	12,16	M5	6-13
YS-12I(M6)	16	15	12,16	M6	6-13
YS-20I	20	15	16	M6	10-20
YS-25I(S)	25	18	16	M6	13-25
YS-25I(L)	25	34	16	M6	10-20
YS-45I(S)	32	30	22	M8	20-50
YS-45I(L)	32	37	15/22	M10	20-50
YS-70I(S)	40	25	32	M10	40-75
YS-70I(L)	40	37	32	M10	40-75
YS-105I	54	45	32	M10	50-130
YS-115I	54	30	32	M10	50-130
YS-325I	72	45	32	M12	130-330
YS-350I	75	42	55/55	M16/M22	200-400
YS-595I	112	60	36	M14	330-600
YS-650I	112	42	55	M22	400-700
YS-995I	158	75	60	M16	600-1200
YS-1800I	158	75	60	M16	900-1800
YS-3500I	200	75	8	Ø24x8h	1500-3500
YS-10000I	300	80	8	Ø24x8h	4200-10000

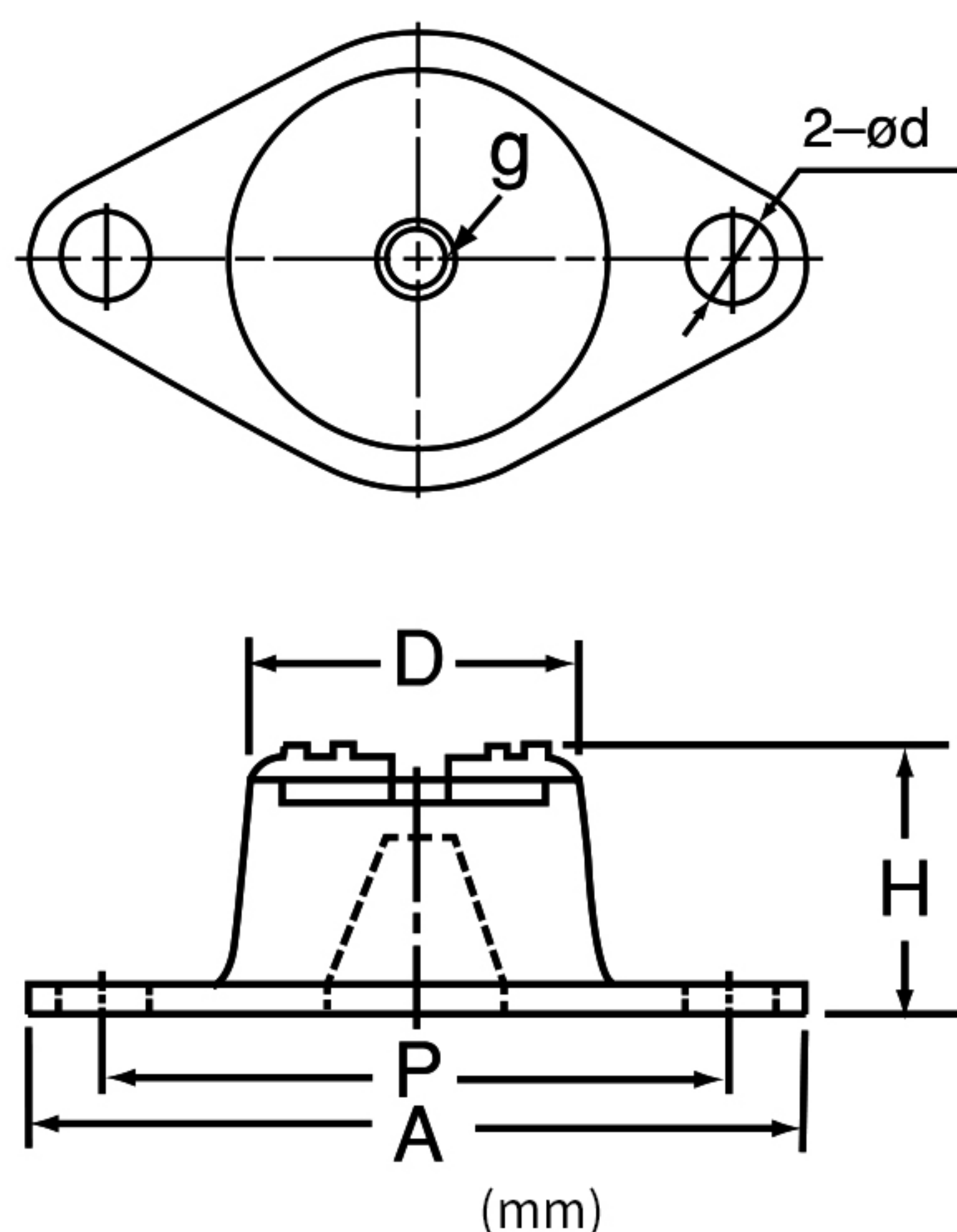
Unit/mm

MODEL YS-J YS-J TYPE RUBBER ISOLATOR



Features

- ⊙ Model YS-J provide mid-to high-frequency vibration isolation for floor-mounted equipment mounted on stiff supporting structures ◦
- ⊙ Material of butyl rubber is used to maintain its service life longer ◦
- ⊙ Easy installation , inexpensive way to solve vibration problems ◦
- ⊙ Suitable for cooling towers , fans , motors , and compressors etc ◦



Specifications

Models	A	P	D	d	H	g	Loads Kgs
YS-7J	60	48	14	6	15	M6XP1.0	3-12
YS-50J	90	72	34	10	30	M8XP1.25	12-55
YS-200J	120	100	55	12	40	M10XP1.5	50-210
YS-500J	170	146	76	14	50	M12XP1.75	200-520
YS-800J	200	170	116	14	71	M14XP2.0	500-850
YS-1000J	200	170	116	14	71	M14XP2.0	700-1000

Unit/mm