

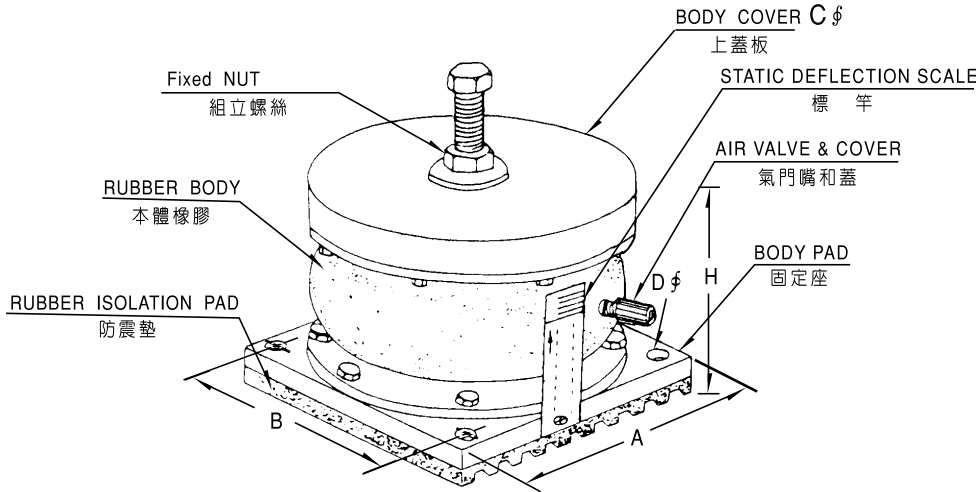


# 固安震®

# YS-K 氣墊式避振器

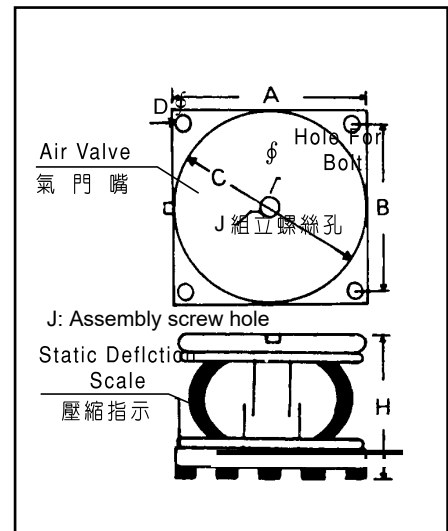
## YS-K TYPE CUSHION ISOLATOR

### Structure

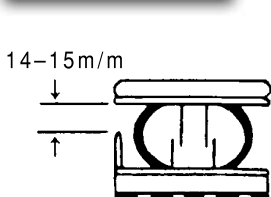


### Specifications

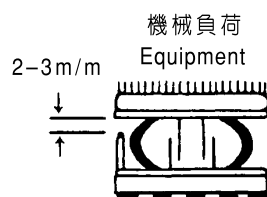
Model	Load KGS	Dimensions			D φ (M/M)	Fixed Nuts (Inch)	Standard Height (m/m)	
		A	B	C			0kg/cm <sup>2</sup>	5kg/cm <sup>2</sup>
YS-90K	15-90	112	94	96	13	1/2-12T	98mm	101mm
YS-140K	60-140	112	94	112	13	1/2-12T	96mm	100mm
YS-320K	140-320	140	119	140	14	1/2-12T	94mm	96mm
YS-560K	300-560	176	155	176	14	1/2-12T	96mm	105mm
YS-910K	550-910	206	180	206	14	5/8-11T	100mm	104mm
YS-1260K	900-1260	235	209	235	14	5/8-11T	100mm	112mm
YS-2100K	1200-2100	286	260	286	14	5/8-11T	103mm	108mm
YS-2800K	2000-2800	316	286	316	17	3/4-10T	103mm	108mm
YS-3500K	2500-3500	346	316	346	17	7/8-9T	113mm	121mm
YS-4800K	3000-4800	476	446	476	17	7/8-9T	115mm	123mm



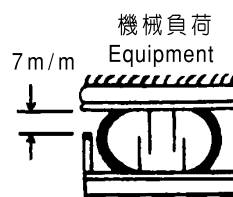
Below is the built-in static deflection scale



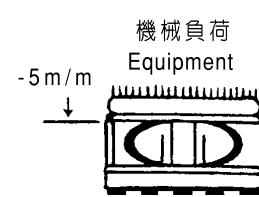
●未負荷，充氣前  
No Load & Before Inflation



●優良  
Good Loaded



▲尚可  
Fair Loaded



×劣，須要再充氣  
×bad & to be re-inflated Loaded





# 固安震®

# YS-K 氣墊式避振器

## YS-K TYPE AIR CUSHION ISOLATOR

AIR VALVE AIR INSIDE  
氣門 空氣

### Features

- ◎ **Over 97% isolation efficiency** It has a lower natural frequency (about 2.4-3.0HZ) °
- ◎ **No Elastic Fatigue or deformation concerns** No shortage of permanent set for common rubber goods which will not recover its shape and height from permanent set °
- ◎ **Effective noise reducing** Air cushions reduce vibration and noise with its contained gaseous body which have much more noise reducing efficiency than any other solid or liquid bodies °
- ◎ **No Elastic Fatigue** No elastic fatigue for coil spring isolators, which lose their efficiency after wearing out °
- ◎ **Good Durability** It is made of special aging resistant and airproof rubber materials , CHLOROBUTYL RUBBER for the air cushion, achieving optimal gas retention performance °
- ◎ **Easy Installation** Adjustable height for different loads, making it very convenient to use ° The inner air pressure ranges from 0 to 6 kgs/cm<sup>2</sup> °
- ◎ **Extend Equipment Lifespan** Extend the life of machinery and decrease its maintenance charges °
- ◎ **Patent** Taiwan Republic New Patent No. 24453 and U.S. Patent No. 4603844 °
- ◎ **Easy level adjustment** To inflate or deflate , according to its load, the isolator to a proper gap width as measured from its built-in static deflection scale.
- ◎ **High Seismic Resistance** Tested by the National Earthquake Center, it can withstand up to 1.2G °
- ◎ **International Cerification** CE certification obtained °



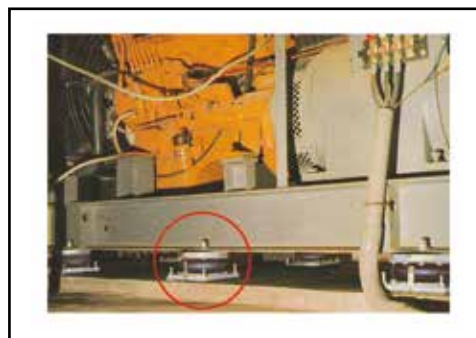
Pump



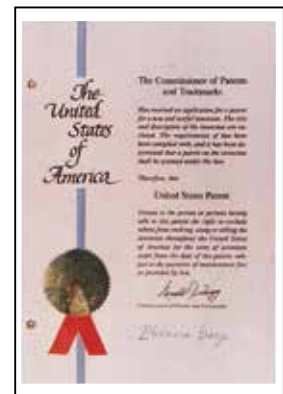
Cooling Tower



Chillers



Generators





# 固安震®

# YS-K 氣墊式避振器

## YS-K TYPE CUSHION ISOLATOR

AIR VALVE AIR INSIDE  
氣門組 空氣室



Chiller



Chillers



Cooling Tower



Pump



Fans



Piping System



Vacuum Machine





# 固安震®

# YS-K 氣墊式避振器

## YS-K TYPE AIR CUSHION ISOLATOR

AIR VALVE AIR INSIDE  
氣門組 空氣室



Air Handling+Piping System



Air Handling



Industrial Washing Machine



Industrial Washing Machine



Bass System



Bass System