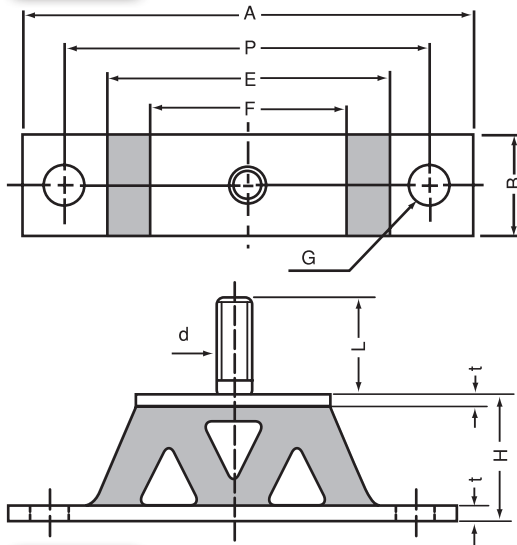


YS-W型 橡膠式避振器

YS-W TYPE RUBBER ISOLATOR

Structural Diagram



Features

- ⊙ Easy installation ◦
- ⊙ 鐵板電鍍防銹處理，壽命長 ◦
- ⊙ Butyl Rubber Made ◦
- ⊙ Low natural frequency ◦
- ⊙ Suitable for chillers、generators or piping systems ◦

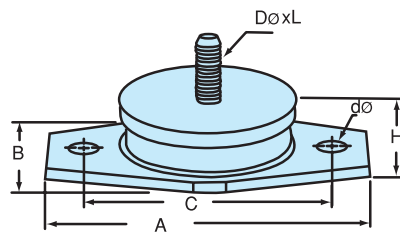
Specification

Models	Loads (KGS)	Dimensions (mm)									
		A	B	H	t	E	F	P	d	L	G
YS-46W	15-45	125	30	40	4.5	80	55	104	M10	20	11
YS-70W	40-80	160	35	45	4.5	100	70	130	M10	30	14
YS-125W	70-130	210	40	59	6	130	90	170	M12	30	17
YS-175W	110-200	245	50	65	8	165	115	205	M14	30	20
YS-500W	200-800	245	50	65	8	165	115	205	M14	30	20

YS-IE型 橡膠式避振器

YS-IE TYPE RUBBER ISOLATOR

Structural Diagram



Features

- ⊙ Easy installation ◦
- ⊙ Maintenance free ◦
- ⊙ Butyl Rubber Made ◦
- ⊙ Suitable for placement beneath elevator machines、chiller or fans ◦

Specification

Models	Loads (KGS)	Dimensions (mm)					D φ X L
		A	B	C	dφ	H	
YS-980IE	500 ~ 1000	224	122	175	18	44	1/2" X 45
YS-2000IE	800 ~ 2000	224	122	175	18	44	M20 X 45
YS-1000IE	500 ~ 1000	224	122	175	18	44	M20 X 45