



固安震®

YS-V 氣壓彈簧

YS-V AIR SPRINGS

Dimensions(mm)

Specifications		Height(mm)			MAX. Stroke	MAX. Diameter	Inner Air Pressure 5kg/cm ² (approx.)		
Type	Models	Min.	Max.	Design			Volume(l)	Load(KGS)	Natural Frequency (HZ)
YS-1	65V	36	75	54	39	71	0.09	60	7.0
YS-1	115V	50	105	56	55	126	0.17	200	6.0
YS-2	115V	60	157	90	97	126	0.36	200	4.2
YS-1	130V	50	85	56	35	142	0.25	440	4.7
YS-2	130V	60	143	90	93	142	0.52	440	3.3
YS-1	160V	50	105	75	55	176	0.40	510	4.1
YS-2	160V	68	174	110	106	176	0.82	510	2.9
YS-1	210V	50	125	80	75	230	1.94	1000	3.1
YS-2	210V	64	234	138	170	230	4.00	1000	2.2
YS-1	250VS	50	162	92	112	270	2.60	1500	3.0
YS-2	250VS	64	234	138	186	270	5.40	1500	2.1
YS-3	250VS	98	385	232	287	270	8.40	1500	2.0
YS-1	252V	50	162	92	112	270	2.60	1500	3.0
YS-2	252V	64	234	138	186	270	5.40	1500	2.1
YS-3	252V	98	385	232	287	270	8.40	1500	2.0
YS-1	280V	50	162	92	112	305	3.10	1900	2.9
YS-2	280V	74	260	162	186	305	6.4	1900	2.1
YS-3	280V	98	385	232	287	305	10.2	1900	1.9
YS-1	320V	50	175	92	125	345	4.6	2500	2.8
YS-2	320V	74	260	162	186	345	9.5	2500	2.0
YS-3	320V	98	385	232	287	345	14.6	2500	1.8
YS-1	355V	50	175	92	125	380	5.0	3400	2.9
YS-2	355V	74	260	162	186	380	10.5	3400	2.0
YS-3	355V	98	385	232	287	380	15.8	3400	1.7
YS-1	405V	50	175	92	125	430	6.5	4700	2.9
YS-2	405V	74	260	162	186	430	13.7	4700	2.0
YS-3	405V	98	385	232	287	430	20.9	4700	1.6
YS-1	460V	85	210	127	125	485	8.4	6300	2.9
YS-2	460V	100	290	185	190	485	17.7	6300	2.0
YS-3	460V	115	402	250	287	485	26.9	6300	1.6
YS-1	510V	85	210	127	125	535	11.2	7900	2.8
YS-2	510V	100	290	185	190	535	22.1	7900	2.0
YS-3	510V	115	402	250	287	535	33.0	7900	1.6
YS-1	560V	85	210	127	125	585	14.4	9800	2.7
YS-2	560V	100	290	185	190	585	28.2	9800	1.9
YS-3	560V	115	402	250	287	585	42.0	9800	1.6
YS-1	610V	85	210	127	125	635	17.8	12300	2.7
YS-2	610V	100	290	185	190	635	34.9	12300	1.9
YS-3	610V	115	402	250	287	635	52.1	12300	1.5
YS-1	660V	85	210	127	125	685	21.7	14600	2.6
YS-2	660V	100	290	185	190	685	42.5	14600	1.7
YS-3	660V	115	402	250	287	685	63.5	14600	1.5
YS-1	710V	90	220	137	125	735	24.2	17100	2.6
YS-2	710V	105	295	190	190	735	47.1	17100	1.9
YS-3	710V	120	412	260	287	735	70.0	17100	1.5

Structure



YS-1V



YS-2V



YS-3V



A-28



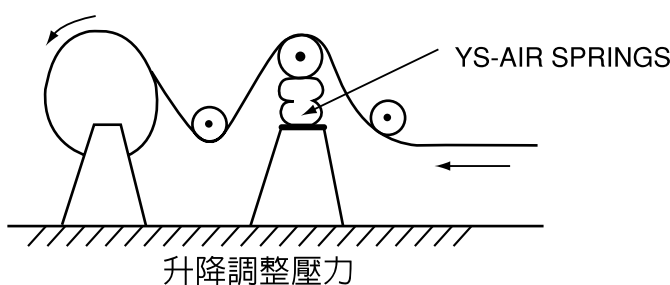
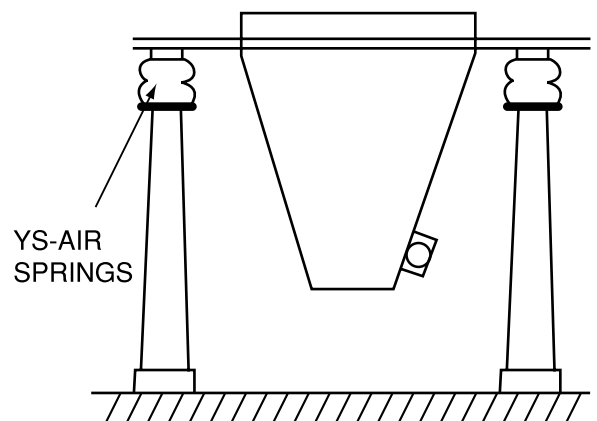
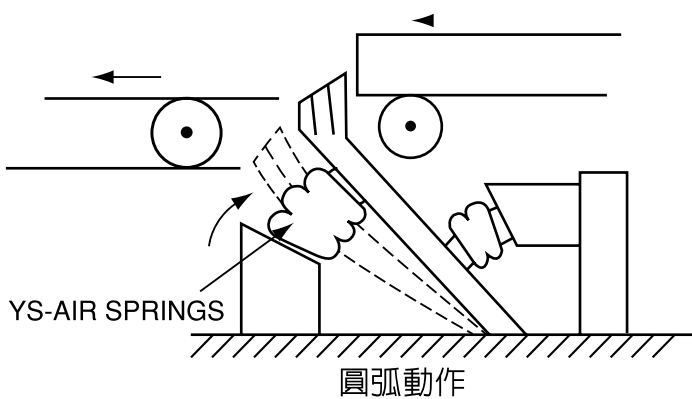
固安震®

YS-V 氣壓彈簧

YS-V AIR SPRINGS

FEATURES

- **YS-AIR SPRINGS** - CAN BE USED FOR WITHSTANDING VIBRATION, ELIMINATING VIBRATION, PRESSURING, LIFE AND DROP, CONTROL, ACTION OF MACHINERY.
- **WITHOUT OIL SEAL** - THERE IS NO LEAKAGE AIR CONSIDERTION AND WITHOUT MAINTENANCE AND LUBRICATING, ALSO THERE IS NO WORRY ABOUT LUBRICANT BLOOM STAIN SURROUNDING.
- **FAST ACTION** - BECAUSE THERE IS NO EXISTANCE OF STATICAL FRICATION, THE ACTION IS FAST.
- **SMALL SIZE** - MAY LIFE FROM HETGHT 2" BECAUSE OF NO POLE, THE SPACE IS SMALL.
- **FLEXIBILITY** - CAN REACH 30°, IT IS POSSIBLE FOR CIRCULAR ARC ACTION.
- **LONG LIFE** - DUE TO ADOPTING EXCELLENT AGAIN RESISTANT, HEAT RESISTANT RUBBER MATERIAL AND ITS SPECIAL SOFTNESS, FEWER CHANGING SHAPE, MAKE IT LONG LIFE.
- **LARGE CAPACITY** - SIZE FROM 65-710M/M, LOAD FROM 60-17100KG, STROKE 39-287M/M FOR YOUR CHOICH.
- **CAN CONTROL HEIGHT** - FIT PROPER VALVE CAN KEEP FIXED HEICHT.
- **CHEAP PRICE** - IF UNDER SAME OUTPUT, IT IS CHEAPER TO USE YS-AIR SPRINGS THAN TO USE METAL AIR CYLINDER, ESPECILLY THE LARGE SPECIFICATION THE LARCER DIFFERENT PRICE.





固安震®

YS-V 氣壓彈簧

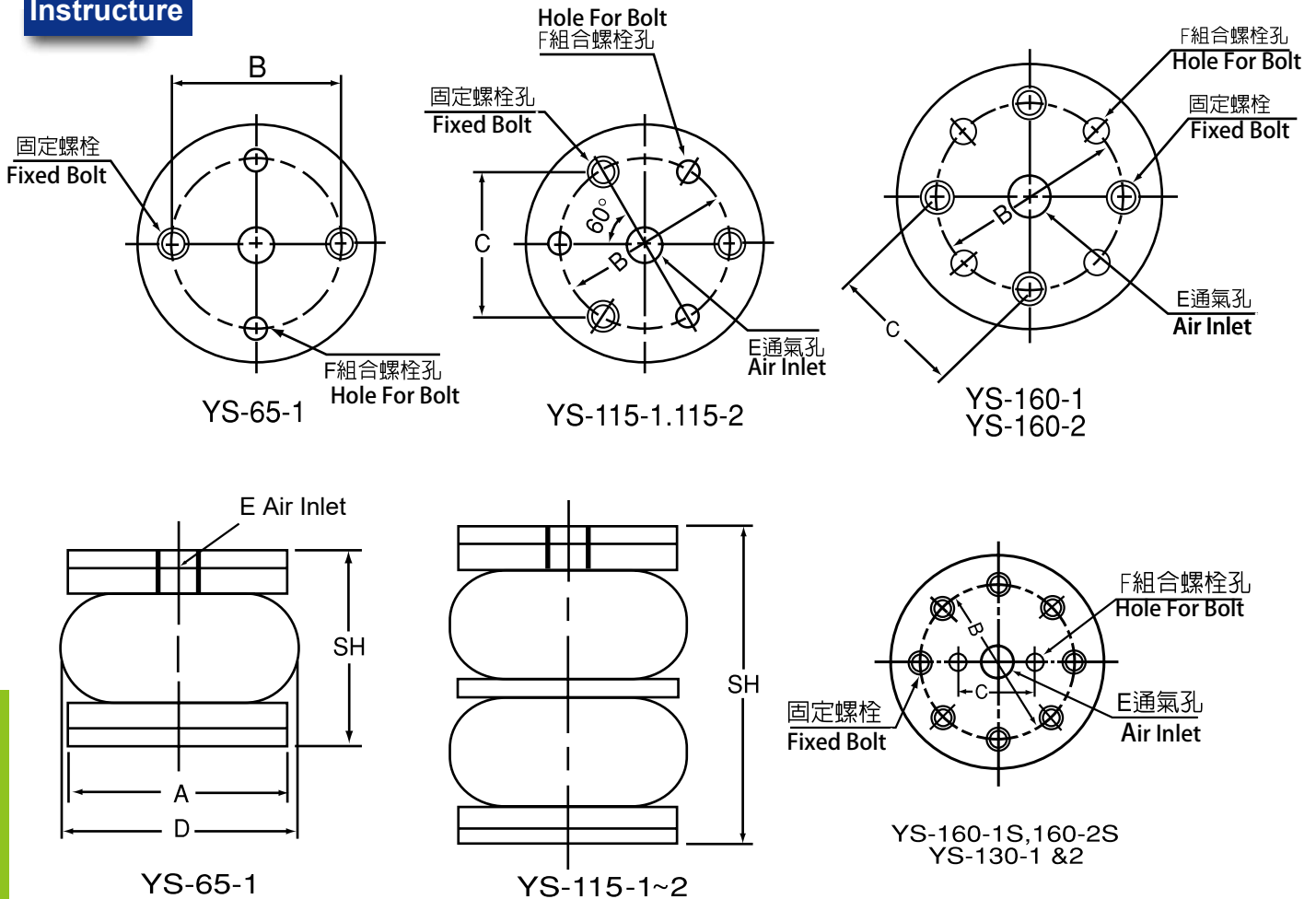
YS-V AIR SPRINGS

Dimensions(mm)

Models	Height (mm)			A	B	C	D	Air Inlet E	F Hole For Bolt	
	Min.	Max.	SH						Thread	Holes
YS-1-65V	36	75	54	60	46	46	65	3/8"PT	M6XP1.0	4
YS-1-115V	50	105	56	110	93	80	115	3/8"PT	M6XP1.0	6
YS-2-115V	60	157	90	110	93	80	115	3/8"PT	M6XP1.0	6
YS-1-130V	50	85	56	126	110	45	130	3/8"PT	3/8"-16	4
YS-2-130V	50	143	90	126	110	45	130	3/8"PT	3/8"-16	4
YS-1-160V	50	105	75	152	127	89.8	160	1/2"PT	M8X1.25	8
YS-2-160V	68	174	110	152	127	89.9	160	1/2"PT	M8X1.25	8
YS-1-160VS	50	105	75	140	127	44.45	160	1/4"NPT	3/8"-16	4
YS-2-160VS	68	174	110	140	127	44.45	160	1/4"NPT	3/8"-16	4

◎Two kinds of top and bottom plates can be chosen.

Instructure





固安震®

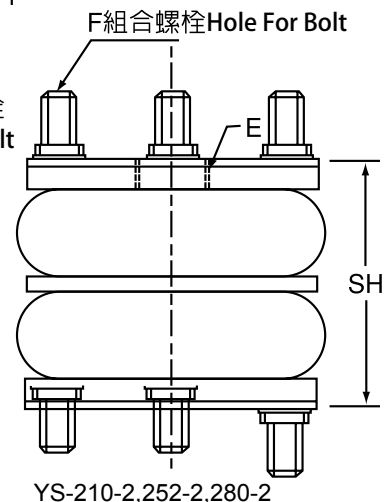
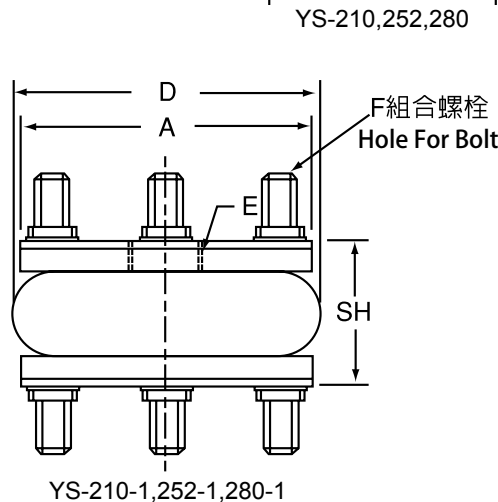
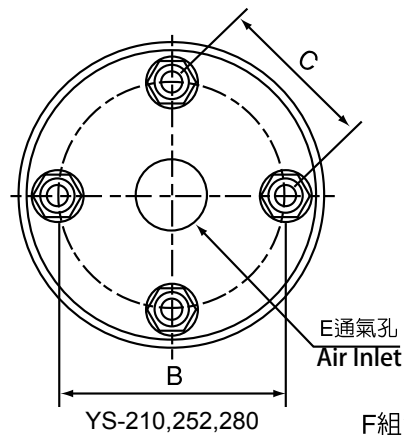
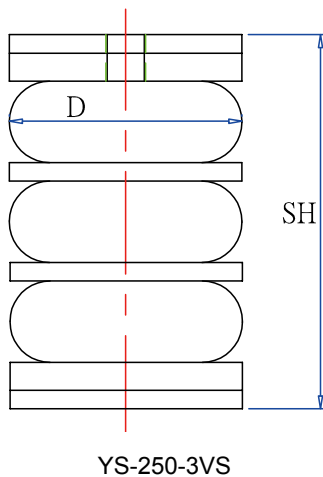
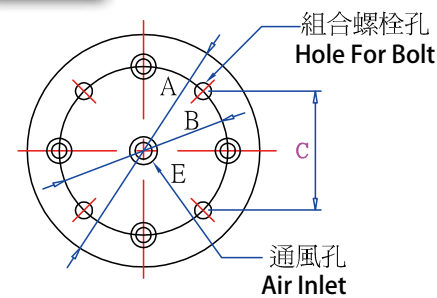
YS-V 氣壓彈簧

YS-V AIR SPRINGS

Dimensions(mm)

Models	Height (mm)			A	B	C	D	Air Inlet E	F Fixed Bolt	
	Min.	Max.	SH						Thread	Holes
YS-1-210V	50	125	80	182	156	110	210	1/2"PT	M10	8
YS-2-210V	64	234	138	182	156	110	210	1/2"PT	M10	8
YS-3-250VS	98	385	232	210	181	128	250	1/2"PT	M10	8
YS-1-252V	50	162	92	210	181	128	250	1/2"PT	M10	8
YS-2-252V	74	260	162	210	181	128	250	1/2"PT	M10	8
YS-3-252V	98	385	232	210	181	128	250	1/2"PT	M10	8
YS-1-280V	50	162	92	236	210	149	280	1/2"PT	M10	8
YS-2-280V	74	260	162	236	210	149	280	1/2"PT	M10	8
YS-3-280V	98	385	232	236	210	149	280	1/2"PT	M10	8
YS-1-320V	50	140	92	280	254	97.2	320	1/2"PT	M10	16
YS-2-320V	74	260	162	280	254	97.2	320	1/2"PT	M10	16
YS-3-320V	98	385	232	280	254	97.2	320	1/2"PT	M10	16

Instructure





固安震®

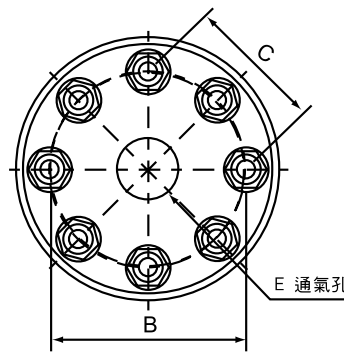
YS-V 氣壓彈簧

YS-V AIR SPRINGS

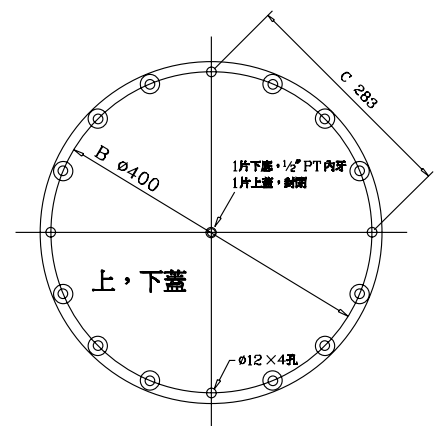
規格表

規 格	高 度 (mm)			A	B	C	D	通氣孔 E	F組合螺栓	
	最低	最高	SH 標準高						牙規	孔數
YS-1-355V	50	175	92	322	296	209.3	355	1/2"PT	M10	16
YS-2-355V	74	260	162	322	296	209.3	355	1/2"PT	M10	16
YS-3-355V	98	385	232	322	296	209.3	355	1/2"PT	M10	16
YS-1-405V	50	175	92	365	340	240.4	405	1/2"PT	M10	16
YS-2-405V	74	260	162	365	340	240.4	405	1/2"PT	M10	16
YS-3-405V	98	385	232	365	340	240.4	405	1/2"PT	M10	16
YS-1-460V	85	210	127	426	400	283	460	1/2"PT	M10	16
YS-2-460V	100	290	185	426	400	283	460	1/2"PT	M10	16
YS-3-460V	115	402	287	426	400	283	460	1/2"PT	M10	16

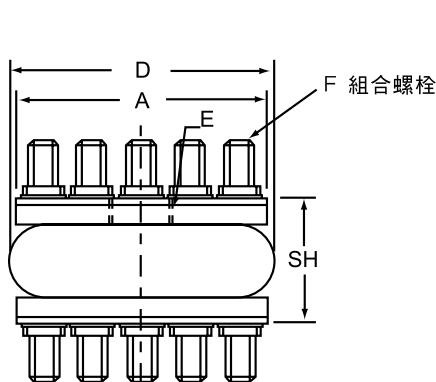
Instructure



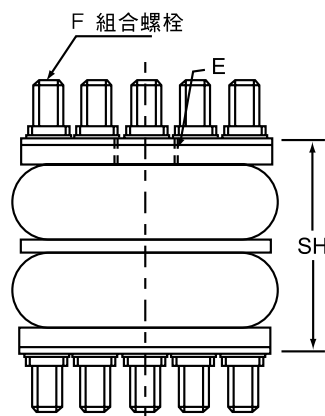
YS-320~405



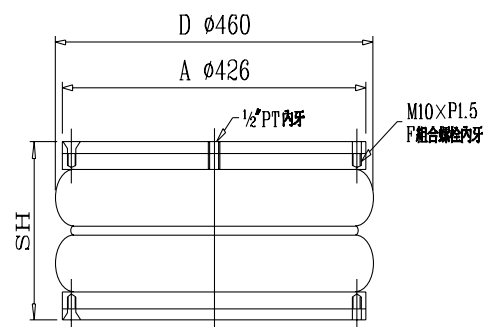
YS-460-1~3



YS-320-1~405-1



YS-320-2~405-2



YS-460-2

