



固安震®

懸吊式橡膠避振器

YS-D TYPE HANGER

Structure



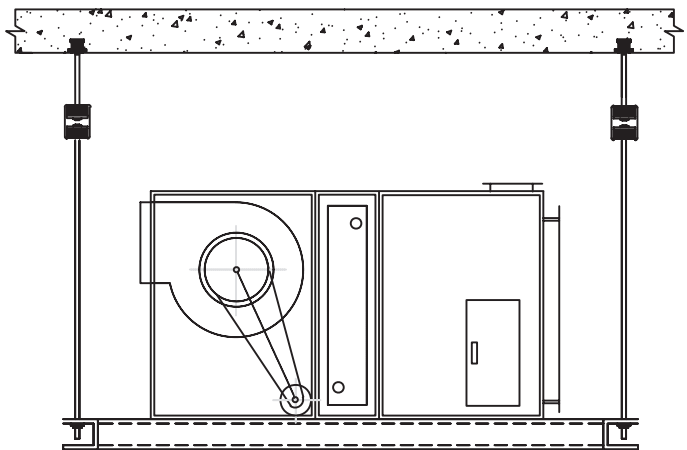
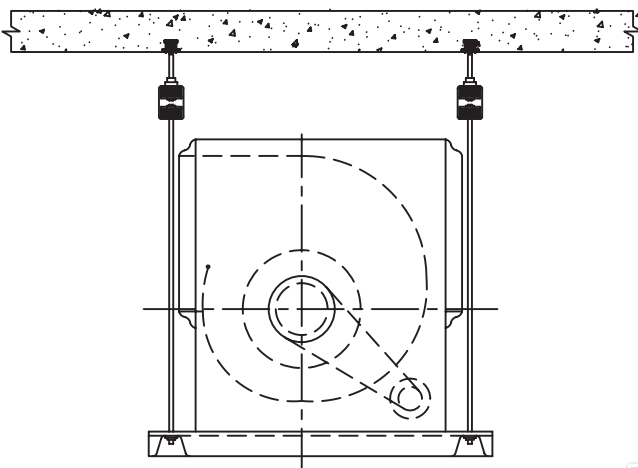
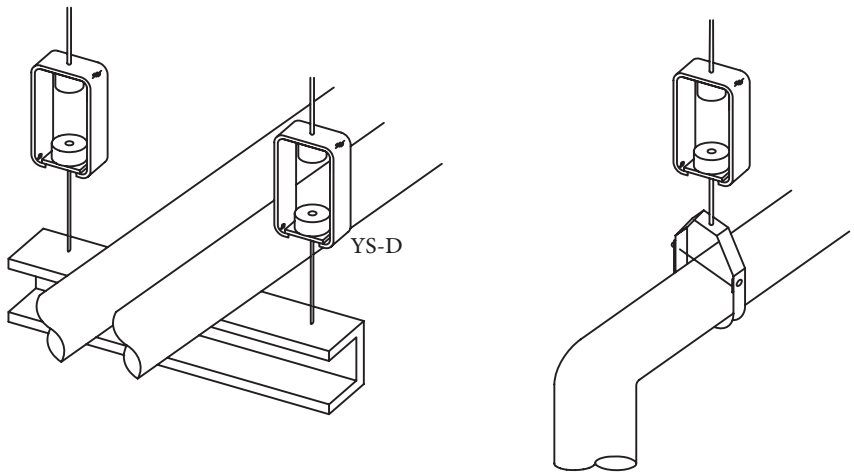
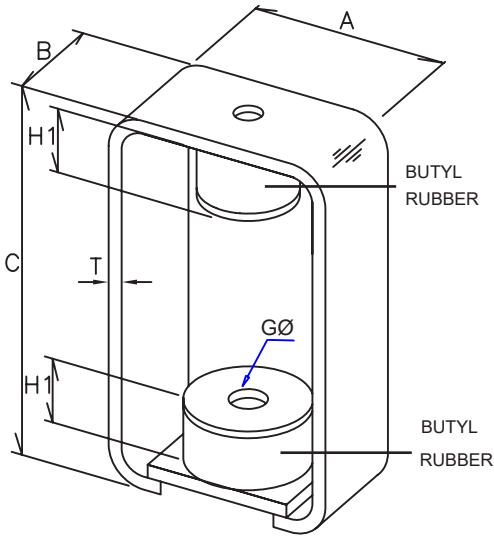
Dimensions

Unit : mm

Model	Load (KGS)	Dimensions (mm)						牙條尺寸	
		A	B	C	GØ	H1	T	米制 (mm)	英制 (inch)
YS-20D	5-20	32	20	68	10	15	2	8	1/4
YS-30D	20-45	50	30	78	13	17	2.6	10	3/8
YS-40D	45-90	56	42	100	16	21	3.2	12	4/8
YS-55D	90-190	67	57	133	16	25	3.2	12	4/8
YS-75D	190-375	103	75	171	17	37	4.0	16	5/8

Features

- ⊙ The outer frame is finished with a baked-on coating °
- ⊙ Made of butyl rubber for long-lasting durability °
- ⊙ YS-D Type Hanger can be used on the ceiling of sound proof room °
- ⊙ Effectively isolates low-frequency noise caused by vibrations °
- ⊙ Suitable for suspended air conditioning equipment, suspended fans suspended air conditioning units and piping systems °



Rubber Hanger