

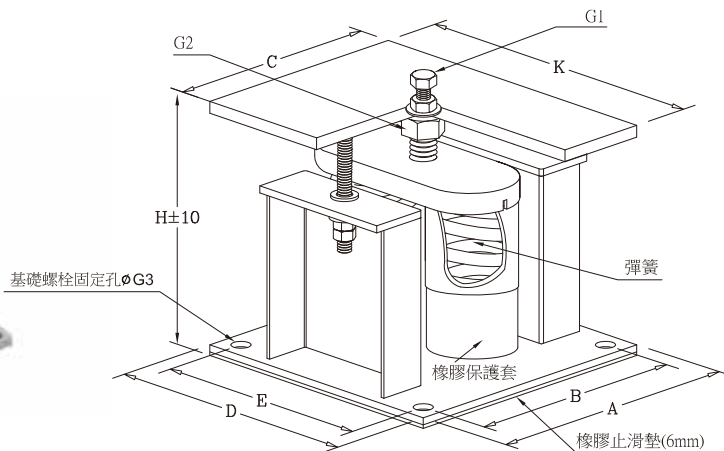


# 固安震®

## Model YS-A YS-A SPRING MOUNT

AIR VALVE AIR INSIDE

### Structure



YS - 2 - 500A50  
 ↓ Spring Qty  
 ↓ Loads  
 ↓ Spring Defl. (mm)

【Ex】 Illustration shows 2 springs.  
 (YS-2-500A50) Spring Deflection is 50mm.  
 Capacity loads is 500kg.  
 YS-1,-2,-4,-6,-9 have 1,2,4,6&9 springs each respectively.

### Dimensions

Type Model	Dimension (mm)						H (mm)	固定螺栓 G1	水平調整螺栓 G2	基礎螺栓固定孔 G3	Spring O.D (mm)	Spring Deflection (mm)
	A	B	C	D	E	K	FH±20					
YS-1A(S)	210	184	165	84	-	85	110	1/2"	7/8"	16	68	25 40
YS-1A/ 1A40(S)	260	234	200	100	-	90	188/200	1/2"	7/8"	16		
YS-2A/ 2A40(S)	210	180	210	210	180	120	188/200	1/2"	7/8"	16		
YS-4A/ 4A40(S)	310	200	280	200	170	160	188/200	1/2"	7/8"	16		
YS-6A/ 6A40(S)	340	280	300	270	220	260	188/200	5/8"	7/8"	19		
YS-9A/ 9A40(S)	430	340	430	270	220	260	188/200	5/8"	1 1/4"	19		
YS-12A/12A40(S)	500	430	530	270	220	260	188	5/8"	1 1/4"	20	92.5	50
YS-1-A50(S)	260	234	200	100	-	90	208	1/2"	7/8"	16		
YS-2-A50(S)	210	180	210	210	180	120	208	1/2"	7/8"	16		
YS-1-A50	210	180	210	210	180	120	235	1/2"	7/8"	16		
YS-2-A50	240	205	230	240	205	230	235	1/2"	7/8"	16		
YS-4-A50	380	340	380	260	205	240	245	1/2"	7/8"	20		
YS-6-A50	520	400	520	260	205	240	245	3/4"	1 1/4"	20	120	75
YS-1-A75	260	210	260	200	160	180	330	1/2"	7/8"	16		
YS-2-A75	310	210	260	260	234	260	330	1/2"	7/8"	16		

◎ Spring deflection 65,75,100mm can be provided and higher deflection can be customized.

### Features

- ◎ YS-A's compression levels are 25、40、50、65、75、100mm, which can achieve a very low level natural frequency with high anti-vibration efficiency.
- ◎ The springs are baking-varnished and covered with rubber tubes for protection and improving better weather resistance.
- ◎ YS spring diameter does not less than 0.8 times the compressed height of the spring at the design load. YS springs have a minimum additional travel to solid equal to 50 percent of the actual deflection.
- ◎ The steel part is made of carbon steel (SS41), the body adopts hot-dip galvanized anti-rust process for longer lifetime. Also available in stainless steel (SUS 304).
- ◎ There is a 6mm rubber muffle friction pad between the base plate and supports, which can prevent noise being generated from high frequency while also preventing slippage.
- ◎ Suitable for chillers, cooling tower, generators, air compressors and fans.





AIR VALVE AIR INSIDE

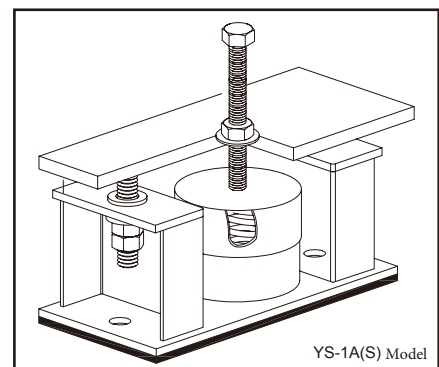
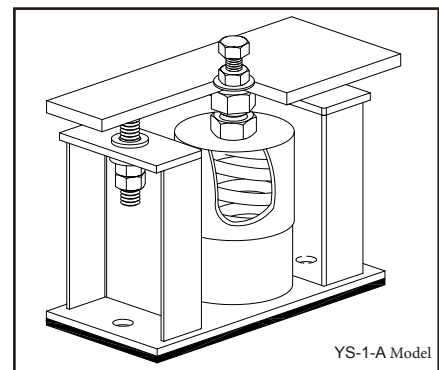
### Specifications

Models	Loads (KGS)	Spring Color	Spring Deflection (mm)
YS-1-50A	50	Yellow	25
YS-1-75A	75	Gray	25
YS-1-100A	100	Metallic blue	25
YS-1-150A	150	Sky Blue	25
YS-1-200A	200	Red	25
YS-1-250A	250	Pink	25
YS-1-300A	300	Dark Green	25
YS-1-350A	350	Coffee	25
YS-1-400A	400	Metallic blue	25
YS-1-450A	450	White	25
YS-1-500A	500	Black	25
YS-1-550A	550	Purple	25
YS-1-600A	600	Blue	25
YS-1-700A	700	Bean Red	25
YS-1-800A	800	Dark Blue	25
YS-1-1000A	1000	Black	25
YS-1-1200A	1200	Bean Red+Black	25
YS-1-100A40(S)	100	Metallic blue	40
YS-1-150A40(S)	150	Sky Blue	40
YS-1-200A40(S)	200	Red	40
YS-1-250A40(S)	250	Pink	40
YS-1-300A40(S)	300	Dark Green	40
YS-1-350A40(S)	350	Coffee	40
YS-1-400A40(S)	400	Metallic blue	40
YS-1-450A40(S)	450	White	40
YS-1-500A40(S)	500	Black	40

### Model YS-1-A

Models	Loads (KGS)	Spring Color	Spring Deflection (mm)
YS-1-600A40(S)	600	Blue	40
YS-1-700A40(S)	700	Bean Red	40
YS-1-800A40(S)	800	Dark Blue	40
YS-1-1000A40(S)	1000	Black	40
YS-1-1200A40(S)	1200	Bean Red+Black	40
YS-1-200A50	200	Red	50
YS-1-250A50	250	Pink	50
YS-1-300A50	300	Dark Green	50
YS-1-350A50	350	Coffee	50
YS-1-400A50	400	Metallic blue	50
YS-1-500A50	500	Dark	50
YS-1-600A50	600	Blue	50
YS-1-700A50	700	Bean Red	50
YS-1-800A50	800	Grass Green	50
YS-1-1000A50	1000	Mouse grey	50
YS-1-1200A50	1200	Yellow	50
YS-1-1500A50	1500	Sky Blue	50

### Structure



### Model YS-1A(S)

Models	Loads (KGS)	Spring Color	Spring Deflection (mm)
YS-1-30A(S)	30	Dark Green	25
YS-1-45A(S)	50	White	25
YS-1-60A(S)	60	Golden	25
YS-1-80A(S)	80	Bean Red	25
YS-1-100A(S)	100	Metallic blue	25
YS-1-150A(S)	150	Sky Blue	25
YS-1-200A(S)	200	Red	25
YS-1-250A(S)	250	Pink	25
YS-1-300A(S)	300	Dark Green	25



### Specifications

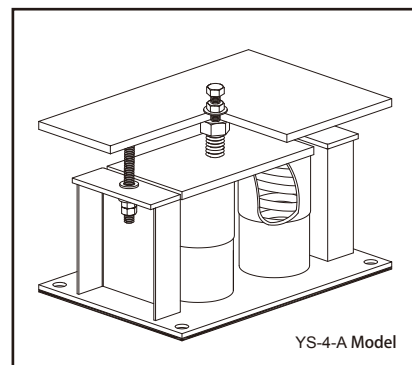
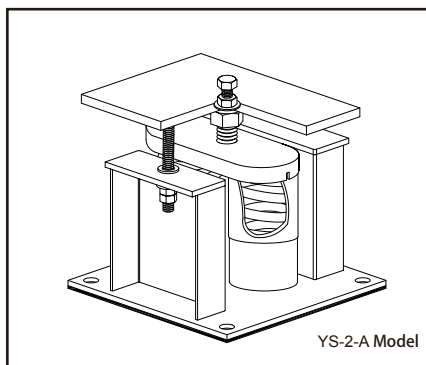
Model YS-2-A(S)

Models	Loads (KGS)	Spring Color	Spring Deflection (mm)
YS-2-400A	400	Red	25
YS-2-500A	500	Pink	25
YS-2-600A	600	Dark Green	25
YS-2-700A	700	Coffee	25
YS-2-800A	800	Metallic blue	25
YS-2-900A	900	White	25
YS-2-1000A	1000	Black	25
YS-2-1200A	1200	Blue	25
YS-2-1400A	1400	Bean Red	25
YS-2-1600A	1600	Metallic blue	25
YS-2-2000A	2000	Black	25
YS-2-2400A	2400	BeanRed+Black	25
YS-2-800A40(S)	800	Metallic blue	40
YS-2-1000A40(S)	1000	Black	40
YS-2-1200A40(S)	1200	Blue	40
YS-2-1400A40(S)	1400	Bean Red	40
YS-2-1600A40(S)	1600	Metallic blue	40
YS-2-2000A40(S)	2000	Black	40
YS-2-2400A40(S)	2400	Bean Red+Black	40
YS-2-1000A50	1200	Black	50
YS-2-1200A50	1200	Sky Blue	50
YS-2-1400A50	1400	Bean Red	50
YS-2-1600A50	1600	Dark Green	50
YS-2-2000A50	2000	Grey	50
YS-2-2400A50	2400	Yellow	50

Model YS-4-A(S)

Models	Loads (KGS)	Spring Color	Spring Deflection (mm)
YS-4-400A	400	Metallic blue	25
YS-4-600A	600	Sky Blue	25
YS-4-800A	800	Red	25
YS-4-1000A	1000	Pink	25
YS-4-1200A	1200	Grass Green	25
YS-4-1400A	1400	Coffee	25
YS-4-1600A	1600	Metallic blue	25
YS-4-1800A	1800	White	25
YS-4-2000A	2000	Black	25
YS-4-2400A	2400	Blue	25
YS-4-2800A	2800	Bean Red	25
YS-4-3200A	3200	Metallic blue	25
YS-4-4000A	4000	Black	25
YS-4-4800A	4800	BeanRed+Black	25
YS-4-2400A40(S)	2400	Blue	40
YS-4-2800A40(S)	2800	Bean Red	40
YS-4-3200A40(S)	3200	Metallic blue	40
YS-4-4000A40(S)	4000	Black	40
YS-4-4800A40(S)	4800	BeanRed+Black	40
YS-4-2400A50	2400	Blue	50
YS-4-2800A50	2800	Bean Red	50
YS-4-3200A50	3200	Grass Green	50
YS-4-4000A50	4000	Grey	50
YS-4-4800A50	4800	Yellow	50
YS-4-6000A50	6000	Sky Blue	50

### Structure



AIR VALVE AIR INSIDE

### Specifications

Model YS-6-A

Models	Loads (KGS)	Spring Color	Spring Deflection (mm)
YS-6-300A	300	Yellow	25
YS-6-450A	450	Grey	25
YS-6-600A	600	Metallic blue	25
YS-6-900A	900	Sky Blue	25
YS-6-1200A	1200	Red	25
YS-6-1500A	1500	Pink	25
YS-6-1800A	1800	Dark Green	25
YS-6-2100A	2100	Coffee	25
YS-6-2400A	2400	Metallic blue	25
YS-6-2700A	2700	White	25
YS-6-3000A	3000	Black	25
YS-6-3300A	3300	Purple	25
YS-6-3600A	3600	Blue	25
YS-6-4200A	4200	Bean Blue	25
YS-6-4800A	4800	Metallic blue	25
YS-6-6000A	6000	Black	25
YS-6-7200A	7200	Bean Red+Black	25
YS-6-4800A40(S)	4800	Metallic blue	40
YS-6-6000A40(S)	6000	Black	40
YS-6-7200A40(S)	7200	Bean Red+Black	40
YS-6-2400A50	2400	Metallic blue	50
YS-6-3000A50	3000	Black	50

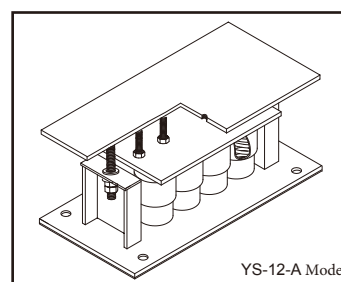
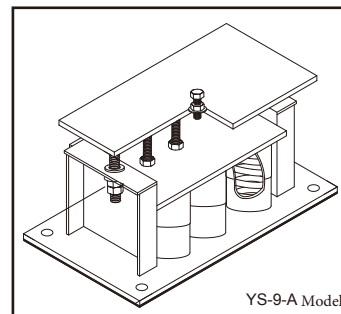
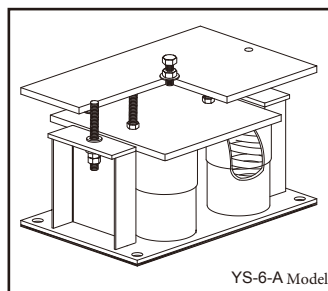
Model YS-9-A

Models	Loads (KGS)	Spring Color	Spring Deflection (mm)
YS-9-450A	450	Yellow	25
YS-9-675A	675	Grey	25
YS-9-900A	900	Metallic blue	25
YS-9-1350A	1350	Sky Blue	25
YS-9-1800A	1800	Red	25
YS-9-2250A	2250	Pink	25
YS-9-2700A	2700	Dark Green	25
YS-9-3150A	3150	Coffee	25
YS-9-3600A	3600	Metallic blue	25
YS-9-4050A	4050	White	25
YS-9-4500A	4500	Black	25
YS-9-4950A	4950	Purple	25
YS-9-5400A	5400	Blue	25
YS-9-6300A	6300	Bean Red	25
YS-9-7200A	7200	Metallic blue	25
YS-9-9000A	9000	Black	25
YS-9-6300A40(S)	6300	Bean Red	40
YS-9-7200A40(S)	7200	Dark Blue	40
YS-9-9000A40(S)	9000	Black	40
YS-9-6300A50	6300	Bean Red	50
YS-9-7200A50	7200	Dark Green	50
YS-9-9000A50	9000	Grey	50

YS-12-A Model

Models	Loads (KGS)	Spring Color	Spring Deflection (mm)
YS-12-9600A	9600	Metallic blue	25
YS-12-12000A	12000	Black	25
YS-12-14400A	14400	Bean Red+Black	25
YS-12-9600A40(S)	9600	Metallic blue	40
YS-12-12000A40(S)	12000	Black	40
YS-12-14400A40(S)	14400	Bean Red+Black	40
YS-12-9600A50	9600	Grass Green	50
YS-12-12000A50	12000	Grey	50
YS-12-14400A50	14400	Yellow	50

### Structure



Spring Mount





Cooling Tower



Piping



Fans



Chillers



Piping



Cooling Tower

Spring Mount