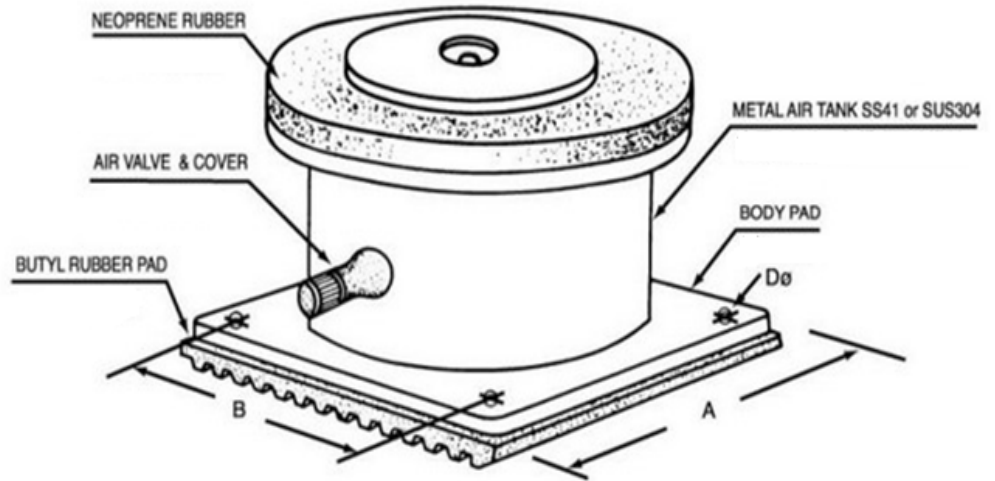




固安震®

YS-Y TYPE AIR CUSHION ISOLATOR

Structure



Specification Table

MODEL	Load Range (KGS)	Width(m/m)					
		A	B	C	DØ	Dø	H
YS-90Y	15-90	112	90	100	13	3/8"	106±6
YS-140Y	60-140	112	90	116	13	1/2"	106±6
YS-320Y	140-320	140	119	144	14	1/2"	106±6
YS-560Y	300-560	176	155	180	14	1/2"	106±6
YS-910Y	550-910	206	180	210	14	5/8"	106±6
YS-1260Y	900-1260	235	209	239	14	5/8"	106±6
YS-2100Y	1200-2100	286	260	290	14	5/8"	106±6
YS-2800Y	2000-2800	316	286	320	17	3/4"	106±6
YS-3500Y	2500-3500	346	316	350	17	7/8"	106±6

Features

- ⊙ High anti-vibration efficiency: The natural frequency of approx. 4.5~5.0HZ
- ⊙ No need to consider regarding elastic fatigue or deformation: Air is used as the medium of seismic isolation; thus the load of bearing equipment can permanently maintain ideal elasticity.
- ⊙ Durability: The neoprene rubber has excellent weather resistance property and high durability.
- ⊙ Easy to use with high safety: The installation is simple and the height is adjusted for convenient use. With the additional protection of external steel casing, the rubber is not affected by oil stains, foreign objects, sunlight or ozone.
- ⊙ Patented product: This product has obtained the ROC patent Nos. 49475