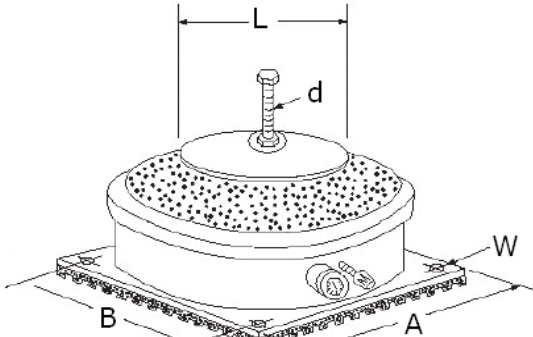




固安震®

YS-T TYPE AIR CUSHION ISOLATOR

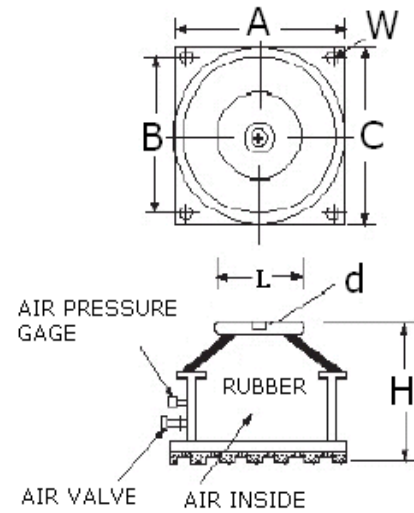
Structure



Specification Table

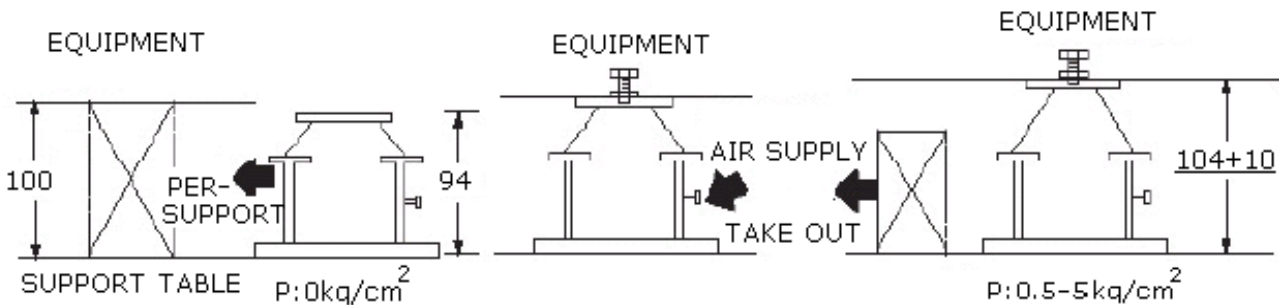
● Roc patent no.49475 obtained.

MODEL	Load Range	Width(m/m)				
	KGS	A & C	B	L	d	W
YS-105T	15-150	130	110	70	3/8"	12
YS-370T	150-370	155	134	100	1/2"	12
YS-510T	350-510	176	155	130	1/2"	14
YS-940T	550-940	235	209	190	5/8"	14
YS-1470T	920-1470	286	260	250	5/8"	14
YS-2250T	1450-2250	335	305	250	7/8"	14
YS-3000T	2100-3000	380	350	250	7/8"	18
YS-4200T	2900-4200	430	400	350	1"	18
YS-5200T	4000-5200	480	450	350	1 1/2"	20



AIR PRESSURE Range: 0.5~5KG/cm²

Height Range: Min 94~Max 114 (m/m)



● If the condition of install iso lator is unconvient, you can do it before air inflated.

Features

- ◎ The material of the metal part is stainless steel SUS 304, rust-proof, unnecessary maintenance and long life.
- ◎ YS-T type air cushion isolator, its structure is special so with bigger stiffness ratio of YS-K air cushion.
- ◎ If this air cushion use on having the oil stain place, it can be increased to put oil proof rubber(NBR).
- ◎ The level adjustment is easy. The air cushion express the different height for the load of machine and its.
- ◎ There not the defect of forever compression aslant for rubber isolator and the defect of elastic fatigue and.