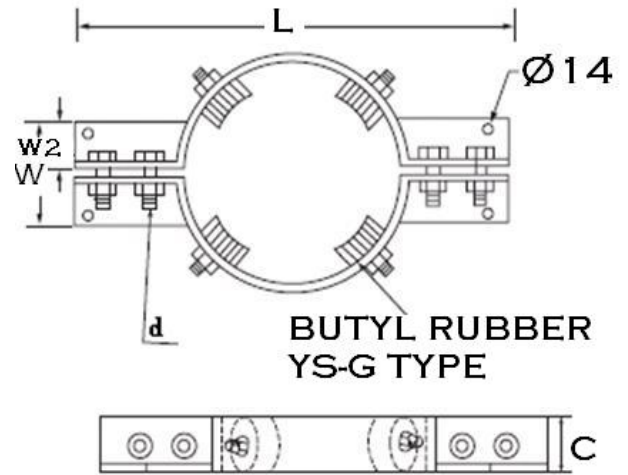




## Features

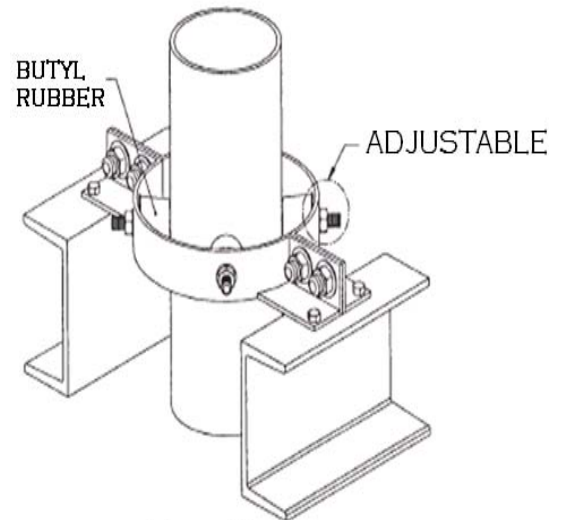
- During normal operation, the conduit is mainly supported by fixed step. When an earthquake occurs, the conduit lacks sufficient strength to support the vertical force; thus it will swing, and excessive swing often causes damage of the conduit. The main function of YS-R's anti-swing ring is to prevent such swings, and it does not need to be attached to the conduit since this will impose slight vibration.
- The YS-R anti-swing ring is processed with hot-dip galvanization, so that it does not rust easily and the usage lifetime is longer.
- The size of the anti-swing ring can be customized according to actual requirement on site. Please contact us with relevant data such as pipe diameter and insulating materials.
- The amount of damper rubber is designed according to vertical pipe of 5 mm; if the length is different, please notify us for modifications.
- Larger sizes can also be customized.

## Structure

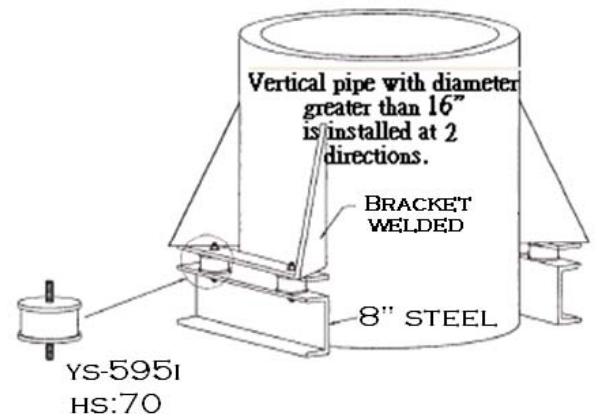
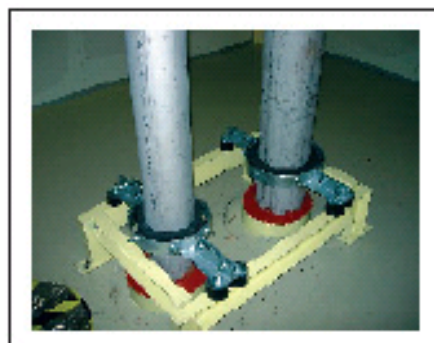
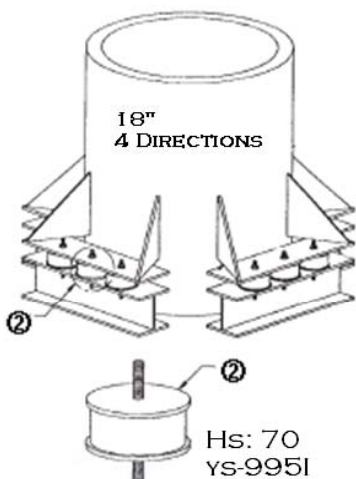


## Specification Table

MODEL	Nominal size	Size of anti-swing ring				RUBBER		
		L(m/m)	W(m/m)	C(m/m)	d(m/m)	SIZE		Q'ty
						Ø	L	
YS-1"R	25A	200	65	32	3/8	32	25	4
YS-1 1/4"R	32A	209	65	32	3/8	32	25	4
YS-1 1/2"R	40A	215	65	32	3/8	32	25	4
YS-2"R	50A	226	65	32	3/8	32	25	4
YS-2 1/2"R	65A	265	65	32	3/8	32	25	4
YS-3"R	80A	278	65	32	3/8	32	25	4
YS-4"R	100A	303	100	50	3/8	54	25	4
YS-5"R	125A	389	100	50	1/2	54	25	4
YS-6"R	150A	414	100	50	1/2	54	25	6
YS-8"R	200A	505	100	50	1/2	54	25	6
YS-10"R	250A	597	100	50	1/2	54	25	6
YS-12"R	300A	648	100	50	1/2	54	25	8
YS-14"R	350A	724	100	50	1/2	54	25	10
YS-16"R	400A	800	100	50	1/2	54	25	10
YS-18"R	450A	850	100	50	1/2	54	25	10
YS-20"R	500A	900	100	50	1/2	54	25	12
YS-22"R	550A	950	130	50	1/2	54	25	12
YS-24"R	600A	1000	130	50	1/2	54	25	16



YS-R INSTALLATION DIAGRAM





# 固安震®

## YS-R TYPE RUBBER ISOLATOR

### Layout

### Illustration of isolator and snubber system with vertical pipe

