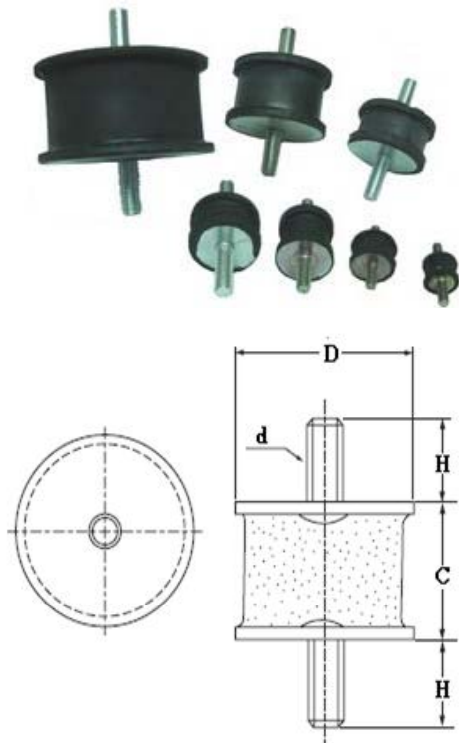




## YS-I TYPE RUBBER ISOLATOR

### Structure



### Features

YS-I type rubber isolator, with simple structure, has been used on every kind of equipments in big quantity at the present, it can be resolved effectively the noise and vibration problem, fan, motor, compressor, engine etc, all can be used.

### Specification Table

MODEL	D	C	H	d	Load Rangs (kgs)
YS-3I	16	15	12	M4	1-3
YS-6I	16	15	12	M4	3-6
YS-12I(M4)	16	15	12	M4	6-13
YS-12I(M5)	16	15	12	M5	6-13
YS-12I(M6)	16	15	12	M6	6-13
YS-20I	20	15	16	M6	10-20
YS-25I(S)	25	18	16	M6	13-25
YS-25I(L)	25	34	18	M6	10-20
YS-45I(S)	32	30	22	M8	20-50
YS-45I(L)	32	37	15/22	M10	20-50
YS-70I(S)	40	25	32	M10	40-75
YS-70I(L)	40	37	32	M10	40-75
YS-105I	54	45	32	M10	50-130
YA-115I	54	30	32	M10	50-130
YS-325I	72	45	32	M12	130-330
YS-350I	75	42	55/55	M16/M22	200-400
YS-595I	112	60	36	M14	330-600
YS-650I	112	42	55	M22	400-700
YS-995I	158	75	60	M16/M22	600-1200

## YS-J TYPE RUBBER ISOLATOR

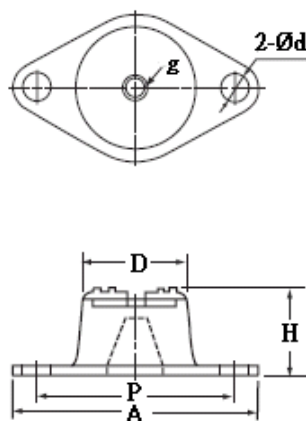
### Structure



### Features

YS-J type rubber isolator is the general isolator because with hollow feature in rubber so can get lower elasticity ratio and get superior isolation efficiency, generally we use on cooling water tower, water pump, generator, windmill, instrument board etc.

### Specification Table



MODEL	A	P	D	d	H	g	LOAD RANGE
YS-7J	60	48	14	6	15	M6XP1.0	3-12
YS-50J	90	72	34	10	30	M8XP1.25	12-55
YS-200J	120	100	55	12	40	M10XP1.5	50-210
YS-500J	170	146	76	14	50	M12XP1.75	200-520
YS-800J	200	170	116	14	71	M14XP2.0	500-850
YS-1000J	200	170	116	14	71	M14XP2.0	700-1000

(m/m)