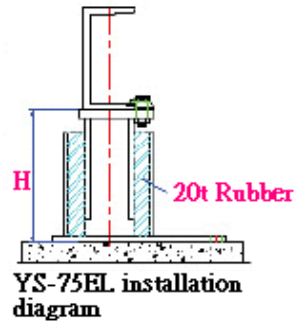
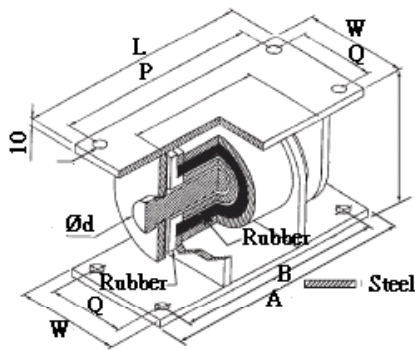
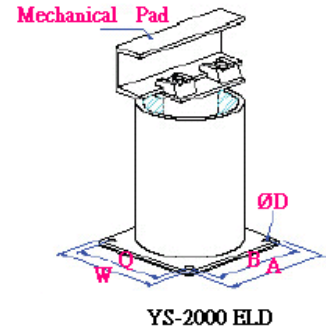
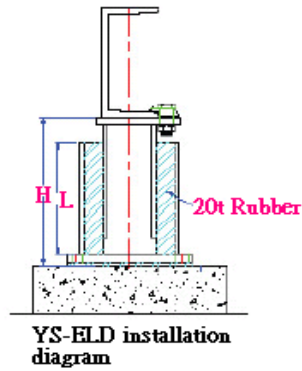
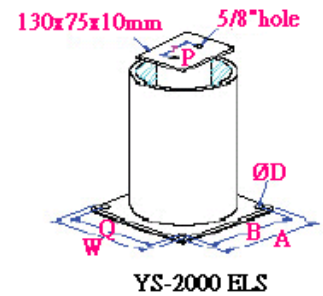
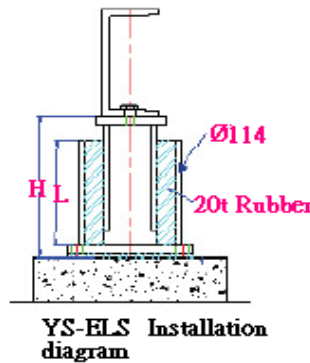
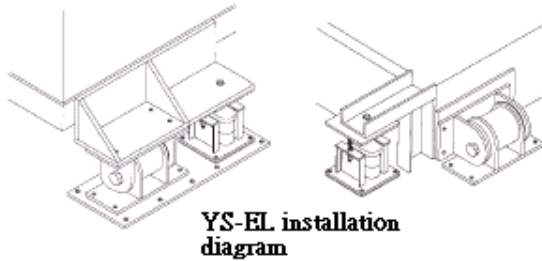
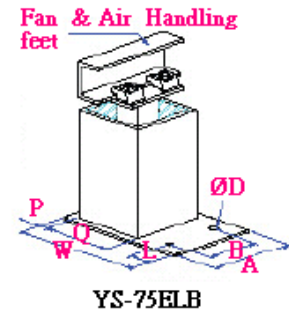


Structure



ISOLATOR	H
YS-BS	100
YS-B	125
YS-1-A	170



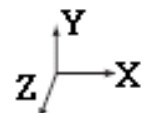
Features

The YS-EL series of seismic mounts & snubbers are assembled from cylindrical rubber with excellent weather resistance and welding of rigid bolt to steel. The unit does not have any function during normal days, yet upon experiencing an earthquake, it can provide $\pm 20\text{HZ}$ of snubber system from selective calculation according to weight of equipment, which prevents mechanical damage due to amplification.

- ⊙ The steel part adopts carbon steel (SS41) and is processed with hot-dip galvanization for rust resistance and longer lifetime.
- ⊙ Applicable for air-conditioning equipment, e.g. ice water machine, cooling tower, air-condition cabin, fan and power generator.

Specification Table

MODEL	Width(m/m)							Ød	Constant of static elasticity (kgf/mm)		
	A	B	L	W	P	Q	H		X-axis	Y-axis	Z-axis
YS-2500EL	235	295	235	135	195	70	170	16	525	107	107
YS-5000EL	400	360	300	135	260	70	170	16	1049	214	214
YS-7500EL	460	420	360	135	320	70	170	20	1049	320	320
YS-10000EL	368	305	368	203	305	70	290	25	1668	1000	1000
YS-75ELB	100	45	25	140	10	75	170	14	200	0	200
YS-2000ELD	142	119	130	142	-	119	170	14	200	0	200
YS-2000ELS	142	119	130	142	45	119	170	14	200	0	200



H (reference height) can be customized according to the type of snubber.

