

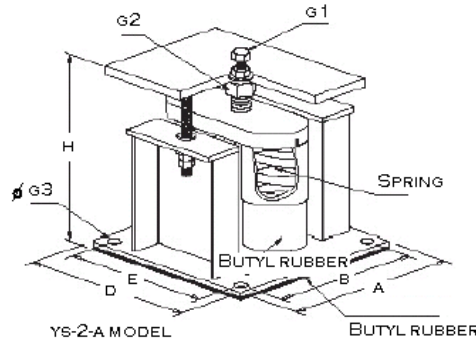


固安震®

YS-A SPRING MOUNT

AIR VALVE AIR INSIDE
气阀在气室内

YS-A Structure



YS - 2 - 500A50
 ↓ ↓ ↓
 Q'TY DEFLECTION
 DESIGN LOADS

Dimensions

TYPE	Dimensions				Height(mm)		Fixed bolt (G1)	Adjustment bolt (G2)	G φ (G3)	Deflection (mm)
	A	B	D	E	FH	OH±10				
YS-1-A(S)	210	184	84	--	120	105	1/2"	7/8"	16	25
YS-1-A	260	234	105	--	200	175	1/2"	7/8"	16	
YS-2-A	210	180	210	180	210	185	1/2"	7/8"	16	
YS-4-A	310	240	200	175	215	190	1/2"	7/8"	16	
YS-6-A	370	310	270	220	235	210	5/8"	7/8"	19	
YS-9-A	420	340	270	220	235	210	5/8"	11/4"	19	
YS-12-A	500	430	270	270	250	225	5/8"	11/4"	20	40
YS-1-A40(S)	260	234	105	--	200	175	1/2"	7/8"	16	
YS-2-A40(S)	210	180	210	180	210	185	1/2"	7/8"	16	
YS-4-A40(S)	310	240	206	175	215	190	1/2"	7/8"	16	
YS-6-A40(S)	370	310	270	220	235	210	5/8"	7/8"	19	
YS-9-A40(S)	420	340	270	220	235	210	5/8"	11/4"	19	
YS-1-A40	210	180	210	180	280	240	1/2"	7/8"	16	50
YS-2-A40	240	205	240	205	280	240	1/2"	7/8"	16	
YS-4-A40	380	340	260	205	280	240	1/2"	7/8"	20	
YS-1-A50	210	180	210	180	280	240	1/2"	7/8"	16	
YS-2-A50	240	205	240	205	280	240	1/2"	7/8"	16	
YS-4-A50	380	340	260	205	280	240	1/2"	7/8"	20	
YS-5-A50	400	260	300	260	280	240	3/4"	7/8"	20	50
YS-6-A50	380	340	380	340	280	240	3/4"	11/4"	20	

Features

- ⊙ YS-A's compression levels are 25, 40 and 50mm, which can achieve a very low level natural frequency with high anti-vibration efficiency.
- ⊙ The springs are baking-varnished and covered with rubber tubes for protection and better weather resistance.
- ⊙ The steel part is made of carbon steel (SS41); the body adopts hot-dip galvanized anti-rust process for longer lifetime. Also available in stainless steel (SUS304).
- ⊙ There is a 6mm rubber muffle friction pad between the base plate and supports, which can prevent noise being generated from high frequency while also preventing slippage.
- ⊙ Recommended for the isolation and restraint of large fluid-carrying equipment such as chillers' cooling tower or for equipment subjected to high wind loads.
- ⊙ Housings may be used for blocking during equipment erection.



固安震®

YS-A SPRING MOUNT

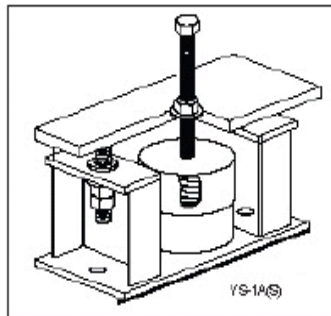
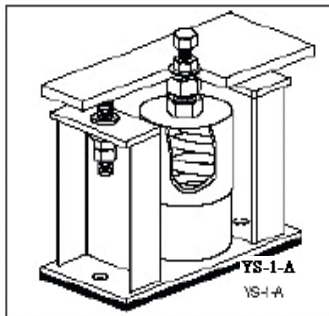
AIR VALVE AIR INSIDE
空氣閥 空氣在內

Specification Table

YS-1-A

Model	Loads (KGS)	Color	Defl. (mm)	Model	Loads (KGS)	Color	Defl. (mm)	Model	Loads (KGS)	Color	Defl. (mm)
YS-1-30A	30	Cyan	25	YS-1-1000A	1000	Gray	25	YS-1-1200A40S	1200	Yellow	40
YS-1-50A	50	Cyan	25	YS-1-1200A	1200	Yellow	25	YS-1-100A50	100	Darkblue	50
YS-1-75A	75	Cyan	25	YS-1-100A40	100	Darkblue	40	YS-1-150A50	150	Azure	50
YS-1-100A	100	Darkblue	25	YS-1-150A40	150	Azure	40	YS-1-200A50	200	Red	50
YS-1-150A	150	Azure	25	YS-1-200A40	200	Red	40	YS-1-250A50	250	Pink	50
YS-1-200A	200	Red	25	YS-1250A40	250	Pink	40	YS-1-300A50	300	Darkgreen	50
YS-1-250A	250	Pink	25	YS-1-300A40S	300	Darkgreen	40	YS-1-350A50	350	Brown	50
YS-1-300A	300	Darkgre	25	YS-1-350A40S	350	Brown	40	YS-1-400A50	400	Darkblue	50
YS-1-350A	350	Brown	25	YS-1-400A40S	400	Darkblue	40	YS-1-450A50	450	White	50
YS-1-400A	400	Darkblue	25	YS-1-450A40S	450	White	40	YS-1-500A50	500	black	50
YS-1-450A	450	White	25	YS-1-500A40S	500	black	40	YS-1-600A50	600	Blue	50
YS-1-500A	500	Black	25	YS-1-550A40S	550	Violet	40	YS-1-700A50	700	Darkred	50
YS-1-550A	550	Violet	25	YS-1-600A40S	600	Blue	40	YS-1-800A50	800	Green	50
YS-1-600A	600	Blue	25	YS-1-700A40S	700	Darkred	40	YS-1-1000A50	1000	Darkgray	50
YS-1-700A	700	Darkred	25	YS-1-800A40S	800	Green	40	YS-1-1200A50	1200	Yellow	50
YS-1-800A	800	Green	25	YS-1-1000A40S	1000	Gray	40				

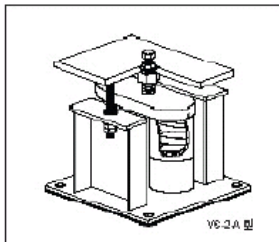
YS-1-AS



Model	Loads (KGS)	Color	Defl. (mm)
YS-1-30A(S)	30	Darkgreen	25
YS-1-50A(S)	50	Darkgreen	25
YS-1-100A(S)	100	Darkblue	25
YS-1-150A(S)	150	Azure	25
YS-1-200A(S)	200	Red	25
YS-1-250A(S)	250	Pink	25
YS-1-300A(S)	300	Antiquewhite	25

YS-2-A

YS-A Structure



Model	Loads (KGS)	Color	Defl. (mm)
YS-2-700A	700	Brown	25
YS-2-800A	800	Darkblu	25
YS-2-900A	900	White	25
YS-2-1000A	1000	Black	25
YS-2-1200A	1200	Blue	25
YS-2-1400A	1400	Darkred	25
YS-2-1600A	1600	Green	25
YS-2-2000A	2000	Gray	25
YS-2-2400A	2400	Yellow	25

Model	Loads (KGS)	Color	Defl. (mm)
YS-2-1200A40	1200	Blue	40
YS-2-1400A40	1400	Darkred	40
YS-2-1600A40	1600	Green	40
YS-2-2000A40	2000	Gray	40
YS-2-2400A40	2400	Yellow	40
YS-2-1200A50	1200	Blue	50
YS-2-1400A50	1400	Darkred	50
YS-2-1600A50	1600	Green	50
YS-2-2000A50	2000	Gray	50
YS-2-2400A50	2400	Yellow	50