

Harmony Rubber Industry Co., Ltd.

PERFECTION / INNOVATION / IMAGINATION

Company Profile

PERFECTION / INNOVATION / IMAGINATION

Harmony Rubber Industry Co., Ltd. (YS-AIR) was founded in 1985, specializing in the field of manufacturing anti-vibration isolators for industrial applications initially. YS-AIR nowadays is the largest manufacturers in the Taiwan market and has expanded but not limited to the HVAC(Heating, Ventilating, and Air Conditioning) systems market, the compressor manufacturing industry and the semiconductor industry °

In 2007, we increased our product line into the automobile industry. Harmony Rubber Industry provides many superior products at reasonable prices, such as Diverse Portable Air Jacks manufacturing, Refurbished BENZ S220 suspension, a series of Air Springs For Light Truck Suspension and various Sleeve air springs. we also manufacture a range of Rolling Lobe air springs for heavy trucks and buses.

To meet customized requirements from diverse overseas customers, raise the value of the company, and provide a full-line of products and value-added services are our main goals. Hence, constant improvements and development concepts and superior service is not only our motto but Harmony Rubber's promise to you. With many thanks for letting us earn your business.

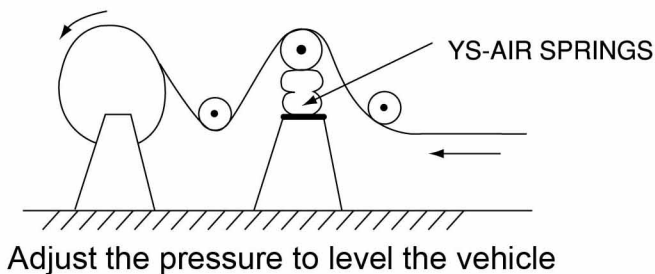
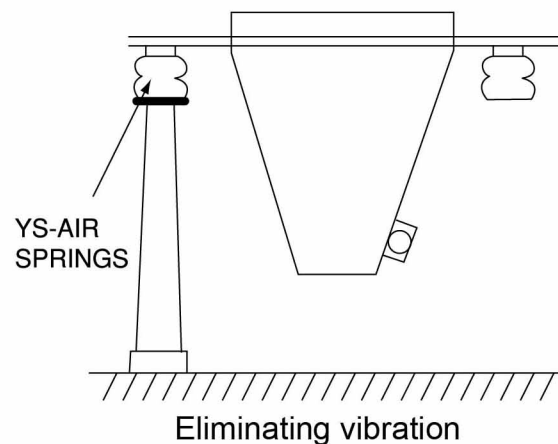
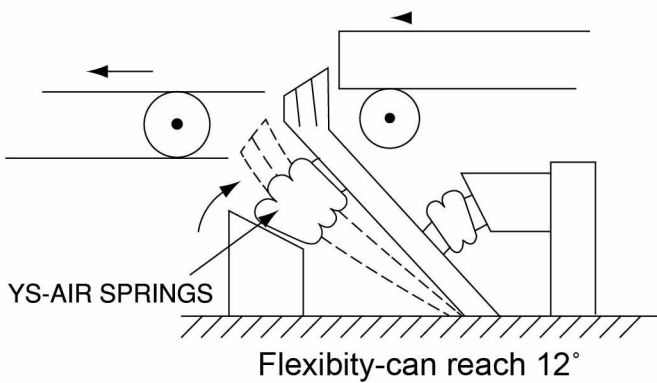


» Convoluted Air Springs

Features:

YS-AIR SPRINGS-can be used for withstanding vibration, eliminating vibration, applying pressure, lift and drop, control, action of machinery.

- **Without oil seal** - there is no air leakage, and no requirement for lubrication and maintenance
- **Fast action** - because there is no static friction.
- **Small size** - may lift from height 2" because of no pole, the space is small.
- **Flexibility** - can reach 12°, it is possible for circular arc action.
- **Long life** - using UV resistant, heat resistant, antioxidising rubber material which has high flexibility, less distortion, make it long life.
- **Large capacity** - size from 65-710mm, load from 60-17100kg, stroke 39-287mm for your choice.
- **Height** - can be easily adjusted by using air valves.
- **Reasonable price** - if under same output, it is cheaper to use ys-air springs than to use metal air cylinder, especially the larger the size, more price difference.



Applications include:

- Washing machines
- Power rooms
- Measuring instruments
- Heavy machinery
- Foundation mounts
- Diesel engines, generators

Air Springs For Commercial Vehicle

PERFECTION / INNOVATION / IMAGINATION

» Convoluted Air Springs



YS-2-147V Air Springs



Min Height:2.80"(71mm)
 Max Height:8.50"(216mm)
 Ride Height:5.50"~6.50"(140~165mm)
 Max.Diameter:6.40"(162mm)

Specification	Air Inlet	Blindnut	Stud	View
A	7003-1	1/8"PT	M8*P1.25	
	7003-2	1/4"PT	M8*P1.25	
	7003-3	1/8"NPT	3/8"-16	
	7003-4	1/4"NPT	3/8"-16	
B	7004-1	1/8"PT	M8*P1.25	
	7004-2	1/4"PT	M8*P1.25	
	7004-3	3/8"PT	M8*P1.25	
	7004-4	1/8"NPT	3/8"-16	
	7004-5	1/4"NPT	3/8"-16	
	7004-6	3/8"NPT	3/8"-16	
C	7007-1	1/8"PT	M8*P1.25*20 [♂]	
	7007-2	1/4"PT		
	7007-3	3/8"PT		
	7007-4	1/8"NPT	3/8"-16*3/4 [♂]	
	7007-5	1/4"NPT		
	7007-6	3/8"NPT		
D	7005-1	1/8"PT		
	7005-2	1/4"PT		
	7005-3	3/8"PT		
	7005-4	1/8"NPT		
	7005-5	1/4"NPT		
	7005-6	3/8"NPT		
E	7001-1		M8*P1.25	
	7001-2		3/8"-16	
F	7002-1		M8*P1.25	
	7002-2		3/8"-16	
G	7006-1		M8*P1.25*20 [♂]	
	7006-2		3/8"-16*3/4 [♂]	

⊗ Air In 進氣孔 ⊙ Blindnut 內牙 ● Stud 外牙

